

Rotary Valve Instruments



Trumpets

Bb Trumpet CTR 501



V.F.Cervený Bb Trumpet CTR 501

3 valves, yellow brass, bore 11.1mm, bell 135mm, tuning slide waterkey, nickel-silver outer slides, lacquer, silver-plated mouthpiece # 7C, plastic case # 6719.

Available Options:

P - Nickel-silver Mouthpipe, Valve Casings And Trimmings.

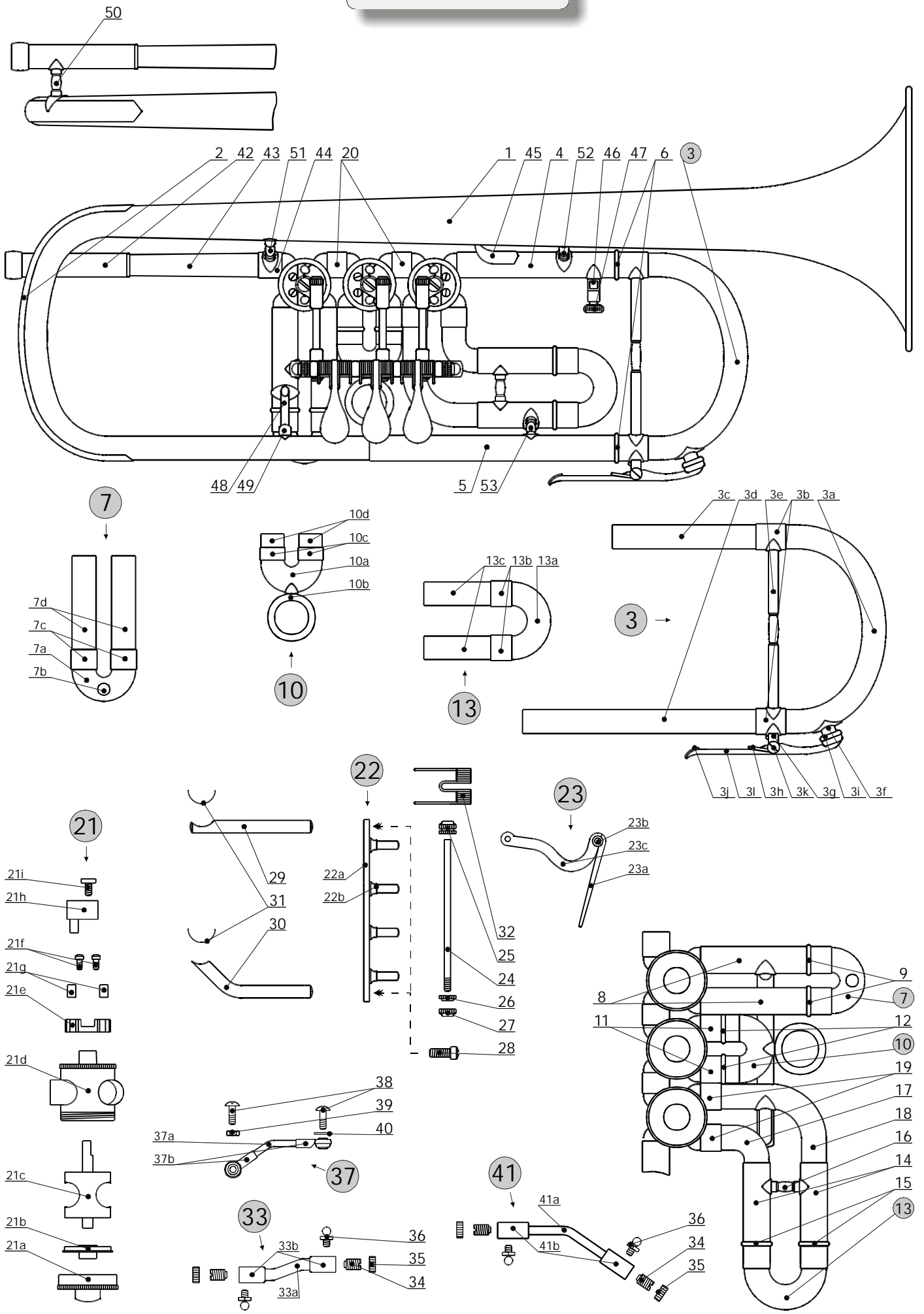
X - Minibal Linkage Action.

R - Bell Rim

T - 3rd Slide Trigger.

Last Update February2005

CTR 501



Parts For V.F.Cerveny Bb Rotary Valve Trumpet CTR 501.

List #	Part #	Description	Note
1	OZV 501TR KL	Bell with Guard, engraved with the 'V.F.Cerveny' Logo.	For CTR 501 Models.
	OZV 501TR KRL	Bell with Rim and Guard, engraved with the 'V.F.Cerveny' Logo.	For CTR 501R Models.
2	P 333 L	Bell Guard.	
3	LS 501TR K	Tuning Slide complete, lacquer.	Outer Tubing to be ordered separately.
3a	O 057 L	Tuning Slide Bow.	
3b	HTA 015 P2 L	Tuning Slide Ferrule (1 of 2pcs).	
3c	THE 085 M2 L	Tuning Slide Inner Tubing, short.	
3d	THE 115 M2 L	Tuning Slide Inner Tubing, long.	
3e	A GX 0810A MP L	Tuning Slide Brace with Plates.	
3f	T 346 L	Tuning Slide Waterkey Nipple with Plate.	
3g	T 390 L	Tuning Slide Waterkey Saddle with Plate.	
3h	P 312	Tuning Slide Waterkey Spring.	
3i	KOREK VK 5*11*8	Tuning Slide Waterkey Nipple Cork.	
3j	KOREK 0.5*30*40	Tuning Slide Waterkey Lever Cork.	
3k	S 063A	Tuning Slide Waterkey Screw, lacquer.	
3l	V 030 N	Tuning Slide Waterkey Lever, nickel-plated.	
**	V 030 KN	Tuning Slide Waterkey Assy. complete (List # 3h-3l).	
4	THA 080 P2 L	Tuning Slide Outer Tubing, short.	
5	THA 125 P2 L	Tuning Slide Outer Tubing, long.	
6	H 238 L	Tuning Slide Outer Tubing Ring (1 of 2pcs).	
7	SN 501TR 1K	1st Slide complete, lacquer.	Outer Tubing to be ordered separately.
7a	O 004 L	1st Slide Bow.	
7b	S 004 L	1st Slide Bow Knob.	
7c	HTA 010 P2 L	1st Slide Ferrule (1 of 2pcs).	
7d	THE 053 M2 L	1st Slide Inner Tubing (1 of 2pcs).	
8	THA 053 P2 L	1st Slide Outer Tubing (1 of 2pcs).	
9	H 238 L	1st Slide Outer Tubing Ring (1 of 2pcs).	
10	SN 501TR 2K	2nd Slide complete, lacquer.	Outer Tubing to be ordered separately.
10a	O 004 L	2nd Slide Bow.	
10b	H 056 L	2nd Slide Finger Ring with Plate.	
10c	HTA 006.5 P2 L	2nd Slide Ferrule (1 of 2pcs).	
10d	THE 010.5 M2 L	2nd Slide Inner Tubing (1 of 2pcs).	
11	THA 012 P2 L	2nd Slide Outer Tubing (1 of 2pcs).	
12	H 238 L	2nd Slide Outer Tubing Ring (1 of 2pcs).	
13	SN 501TR 3K	3rd Slide complete, lacquer.	Outer Tubing to be ordered separately.
13a	O 061 L	3rd Slide Bow.	
13b	HTA 010 P2 L	3rd Slide Ferrule (1 of 2pcs).	
13c	THE 039 M2 L	3rd Slide Inner Tubing (1 of 2pcs).	
14	THA 040 P2 L	3rd Slide Outer Tubing (1 of 2pcs).	
15	H 238 L	3rd Slide Outer Tubing Ring (1 of 2pcs).	
16	A GX 0137A MP L	3rd Slide Brace with Plates.	
17	R 023 L	3rd Slide Crook, small.	
18	R 022 L	3rd Slide Crook, large.	
19	SKA 010 P2 L	3rd Slide Connecting Ferrule (1 of 2pcs).	
20	H 558 L	Connecting Ferrule (1st Valve Casing - to - 2nd Valve Casing).	
		Connecting Ferrule (2nd Valve Casing - to - 3rd Valve Casing).	
21	VENTIL 002 MK 1/2 L	1st/2nd Rotary Valve Assy.	
	VENTIL 002 MK 3 L	3rd Rotary Valve Assy.	
21a	S 355	Bottom Cap, lacquer.	
21b	S 354 H	Rotary Valve Support.	
21c	VC 003MC H	Rotary Valve.	
21d	VCP 002MC L	Rotary Valve Casing.	
21e	L 087	Stop Plate, lacquer.	
21f	S 669	Stop Plate Retaining Screw (1 pf 2pcs), lacquer.	
21g	SNURA 5	Bumper (length 1cm).	SNURA PR.5 = Bumper (length 1meter).
21h	T 268	Stop Arm, lacquer.	
21i	S 434	Stop Arm Retaining Screw, lacquer.	
**	MENIC 002MC ML	Rotary Valve with Casing, lapped (List # 21b-21d).	
**	SC 501TR L	Valve Casing Assy. complete with Slides and Rotary Valves, (List # 7-21).	
22	P 112 K	Lever Bridge Assy., lacquer.	
22a	P 112 L	Lever Bridge.	
22b	S 660 L	Lever Bridge Post (1 of 4pcs).	
23	RA MC HOL 1/3	1st/3rd Valve Finger Lever Assy., lacquer.	
	RA MC HOL 2	2nd Valve Finger Lever Assy., lacquer.	
23a	N 053 L	Finger Lever Plate.	

23b	S 718 L	Finger Lever Rod.	
23c	N 032N 1/3 L	1st/3rd Valve Finger Lever Linkage.	
	N 032N 2 L	2nd Valve Finger Lever Linkage.	
24	S 717 H	Rod Screw.	
25	S 034P H	Rod Screw End Nut.	
26	S 021P H	Rod Screw Retaining Nut, small.	
27	S 022P H	Rod Screw Retaining Nut, large.	
**	TL 701CTR	Lever Assy., lacquer (List # 22-27).	
28	S 050	Lever Bridge Retainung Screw (1 of 2pcs), lacquer.	
29	S 649 L	Lever Bridge Support (on 1st Slide).	
30	S 650 L	Lever Bridge Support (on 3rd Slide).	
31	P 093P L	Lever Bridge Support Plate (1 of 2pcs).	
32	PRUZ HOL MC	Lever Spring (1 of 3pcs).	
33	T 343	2nd/3rd Valve Linkage complete (type Standard), lacquer.	<i>Older style Linkage.</i>
	T 342	1st Valve Linkage complete (type Standard), lacquer.	<i>Older style Linkage.</i>
33a	P 643 L	Linkage Rod.	
33b	S 636 L	Linkage Bearing (1 of 2pcs).	
34	S 281 H	Linkage Screw (1 of 2pcs).	
35	S 280 H	Linkage Screw Nut (1 of 2pcs).	
36	S 632 H	Ball Pivot (1 of 2pcs).	
37	T 404 L	1st Valve Linkage complete (type Minibal).	
	T 405 L	2nd/3rd Valve Linkage complete (type Minibal).	
37a	S 612 L	Linkage Rod.	
37b	MINIBAL GK6-3 L	Minibal (1 of 2pcs).	
38	S 121P L	Minibal Screw (1 of 2pcs).	
39	S 123P L	Minibal Screw Nut (Lever Side).	
40	MINIBAL DORAZ	Minibal Screw Bumper (Stop Arm side).	
41	T 369	2nd/3rd Valve Linkage complete (type Standard), lacquer.	<i>Newer style Linkage.</i>
	T 369B	1st Valve Linkage complete (type Standard), lacquer.	<i>Newer style Linkage.</i>
41a	P 666P L	Linkage Rod.	
41b	S 636 L	Linkage Bearing (1 of 2pcs).	
42	U 501TR L	Mouthpiece Receiver, engraved with Model Number.	
43	DH 075 L	Mouthpipe.	
	ESO 501TR L	Mouthpipe complete with Mouthpiece Receiver.	
44	SKA 012 P2 L	Connecting Ferrule, Mouthpipe - to - 1st Valve Casing.	
45	F 004 L	Finger Support.	
46	T 033 L	Cardholder Socket with Plate.	
47	S 040	Cardholder Screw, lacquer.	
48	T 226 L	Rod Brace with Plate.	
49	T 225 L	Barrel with Plate.	
50	A LY 0120A MP70 L	Brace with Plates, Mouthpiece Receiver - to - Bell.	<i>Brace Length to be specified.</i>
51	A LX 0200A MP L	Brace with Plates, Mouthpipe Connecting Ferrule - to - Bell.	<i>Brace Length to be specified.</i>
52	A LX 0170A MP L	Brace with Plates, Tuning Slide - to - Bell.	<i>Brace Length to be specified.</i>
53	A GX 0160A MP L	Brace with Plates, Tuning Slide - to - 3rd Slide.	<i>Brace Length to be specified.</i>

Important:

1/ All metal parts polished and unlacquered, unless otherwise specified. Please specify desired finish, when ordering.

2/ Please indicate the Instrument's Model Number, when ordering.