

Rotary Valve Instruments



Fluegelhorns

Bb Fluegelhorn CFH 501

Pictured CFH 501R



V.F.Cervený Bb Fluegelhorn CFH 501

***3 valves, yellow brass, bore 11.1mm, bell 145mm, waterkey, nickel-silver Mouthpipe, lacquer, silver-plated
Flugelhorn-mouthpiece # 1 1/2F,
Plastic case # 6720.***

Available Options:

X - Minibal Linkage Action.

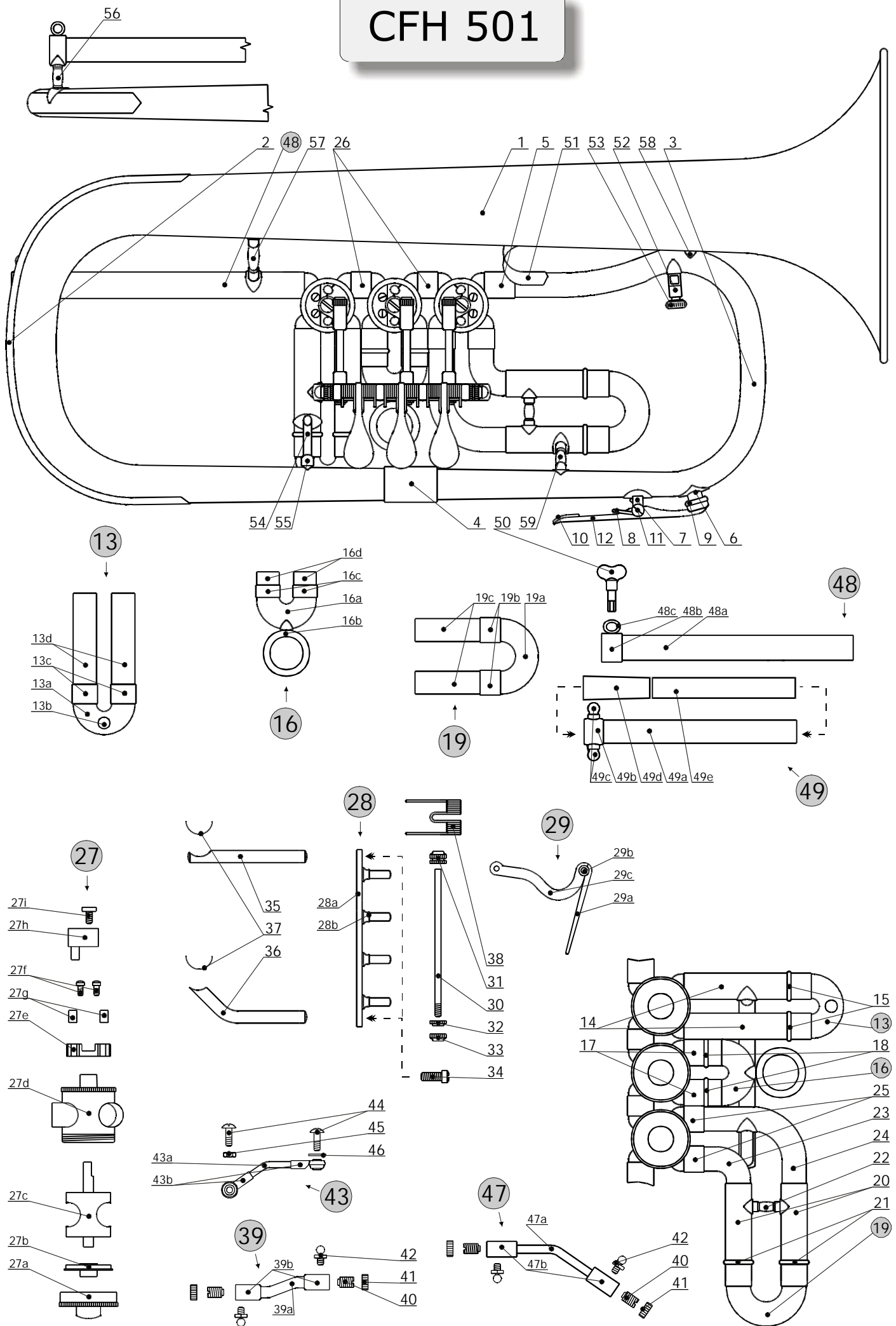
R - Bell Rim

P - Nickel-silver Valve Casing and Trimmings

T - 3rd Slide Trigger.

Last Update February2005

CFH 501



Parts For V.F.Cerveny Bb Rotary Valve Fluegelhorn CFH 501.

List #	Part #	Description	Note
1	OZV 501FH KL	Bell with Guard, engraved with the 'V.F.Cerveny' Logo.	For CFH 501 Models.
	OZV 501FH KRL	Bell with Rim and Guard, engraved with the 'V.F.Cerveny' Logo.	For CFH 501R Models.
2	DH 098 L	Bell Guard.	
3	DH 021 L	Branch.	
4	S 159P L	Connecting Ferrule, Bell - to - Branch.	
5	H 566P L	Connecting Ferrule, Branch - to - 3rd Valve Casing.	
6	T 347 L	Branch Waterkey Nipple with Plate.	Outer Tubing to be ordered separately.
7	T 351 L	Waterkey Saddle with Plate.	
8	P 312	Waterkey Spring.	
9	KOREK VK 5*11*8	Waterkey Nipple Cork.	
10	KOREK 0.5*30*40	Waterkey Lever Cork.	
11	S 063A	Waterkey Screw, lacquer.	
12	V 030 N	Branch Waterkey Lever, nickel-plated.	
**	V 030 KN	Branch Waterkey Assy. complete (List # 8-12).	
13	SN 501TR 1K	1st Slide complete, lacquer.	Outer Tubing to be ordered separately.
13a	O 004 L	1st Slide Bow.	
13b	S 004 L	1st Slide Bow Knob.	
13c	HTA 010 P2 L	1st Slide Ferrule (1 of 2pcs).	
13d	THE 053 M2 L	1st Slide Inner Tubing (1 of 2pcs).	
14	THA 053 P2 L	1st Slide Outer Tubing (1 of 2pcs).	
15	H 238 L	1st Slide Outer Tubing Ring (1 of 2pcs).	
16	SN 501TR 2K	2nd Slide complete, lacquer.	Outer Tubing to be ordered separately.
16a	O 004 L	2nd Slide Bow.	
16b	H 056 L	2nd Slide Finger Ring with Plate.	
16c	HTA 006.5 P2 L	2nd Slide Ferrule (1 of 2pcs).	
16d	THE 010.5 M2 L	2nd Slide Inner Tubing (1 of 2pcs).	
17	THA 012 P2 L	2nd Slide Outer Tubing (1 of 2pcs).	
18	H 238 L	2nd Slide Outer Tubing Ring (1 of 2pcs).	
19	SN 501TR 3K	3rd Slide complete, lacquer.	Outer Tubing to be ordered separately.
19a	O 061 L	3rd Slide Bow.	
19b	HTA 010 P2 L	3rd Slide Ferrule (1 of 2pcs).	
19c	THE 039 M2 L	3rd Slide Inner Tubing (1 of 2pcs).	
20	THA 040 P2 L	3rd Slide Outer Tubing (1 of 2pcs).	
21	H 238 L	3rd Slide Outer Tubing Ring (1 of 2pcs).	
22	A GX 0137A MP L	3rd Slide Brace with Plates.	
23	R 023 L	3rd Slide Crook, small.	
24	R 022 L	3rd Slide Crook, large.	
25	SKA 010 P2 L	3rd Slide Connecting Ferrule (1 of 2pcs).	
26	H 558 L	Connecting Ferrule (1st Valve Casing - to - 2nd Valve Casing). Connecting Ferrule (2nd Valve Casing - to - 3rd Valve Casing).	
27	VENTIL 002 MK 1/2 L	1st/2nd Rotary Valve Assy.	
	VENTIL 002 MK 3 L	3rd Rotary Valve Assy.	
27a	S 355	Bottom Cap, lacquer.	
27b	S 354 H	Rotary Valve Support.	
27c	VC 003MC H	Rotary Valve.	
27d	VCP 002MC L	Rotary Valve Casing.	
27e	L 087	Stop Plate, lacquer.	
27f	S 669	Stop Plate Retaining Screw (1 pf 2pcs), lacquer.	
27g	SNURA 5	Bumper (length 1cm).	SNURA PR.5 = Bumper (length 1meter).
27h	T 268	Stop Arm, lacquer.	
27i	S 434	Stop Arm Retaining Screw, lacquer.	
**	MENIC 002MC ML	Rotary Valve with Casing, lapped (List # 27b-27d).	
**	SC 501TR L	Valve Casing Assy. complete with Slides and Rotary Valves, (List # 13-27).	
28	P 112 K	Lever Bridge Assy., lacquer.	
28a	P 112 L	Lever Bridge.	
28b	S 660 L	Lever Bridge Post (1 of 4pcs).	
29	RA MC HOL 1/3	1st/3rd Valve Finger Lever Assy., lacquer.	
	RA MC HOL 2	2nd Valve Finger Lever Assy., lacquer.	
29a	N 053 L	Finger Lever Plate.	
29b	S 718 L	Finger Lever Rod.	
29c	N 032N 1/3 L	1st/3rd Valve Finger Lever Linkage.	
	N 032N 2 L	2nd Valve Finger Lever Linkage.	
30	S 717 H	Rod Screw.	
31	S 034P H	Rod Screw End Nut.	
32	S 021P H	Rod Screw Retaining Nut, small.	

33	S 022P H	Rod Screw Retaining Nut, large.	
**	TL 701CTR	Lever Assy., lacquer (List # 28-33).	
34	S 050	Lever Bridge Retaining Screw (1 of 2pcs), lacquer.	
35	S 649 L	Lever Bridge Support (on 1st Slide).	
36	S 650 L	Lever Bridge Support (on 3rd Slide).	
37	P 093P L	Lever Bridge Support Plate (1 of 2pcs).	
38	PRUZ HOL MC	Lever Spring (1 of 3pcs).	
39	T 343	2nd/3rd Valve Linkage complete (type Standard), lacquer.	<i>Older style Linkage.</i>
	T 342	1st Valve Linkage complete (type Standard), lacquer.	<i>Older style Linkage.</i>
39a	P 643 L	Linkage Rod.	
39b	S 636 L	Linkage Bearing (1 of 2pcs).	
40	S 281 H	Linkage Screw (1 of 2pcs).	
41	S 280 H	Linkage Screw Nut (1 of 2pcs).	
42	S 632 H	Ball Pivot (1 of 2pcs).	
43	T 404 L	1st Valve Linkage complete (type Minibal).	
	T 405 L	2nd/3rd Valve Linkage complete (type Minibal).	
43a	S 612 L	Linkage Rod.	
43b	MINIBAL GK6-3 L	Minibal (1 of 2pcs).	
44	S 121P L	Minibal Screw (1 of 2pcs).	
45	S 123P L	Minibal Screw Nut (Lever Side).	
46	MINIBAL DORAZ	Minibal Screw Bumper (Stop Arm side).	
47	T 369	2nd/3rd Valve Linkage complete (type Standard), lacquer.	<i>Newer style Linkage.</i>
	T 369B	1st Valve Linkage complete (type Standard), lacquer.	<i>Newer style Linkage.</i>
47a	P 666P L	Linkage Rod.	
47b	S 636 L	Linkage Bearing (1 of 2pcs).	
48	SO 501FH L	Mouthpipe Slide Assy.	
48a	THA 133 P2 L	Mouthpipe Slide Tube.	
48b	S 393 L	Mouthpipe Slide End Ring.	
48c	S 036 L	Mouthpipe Slide End Ring Barrel.	
49	U 501FH	Mouthpipe Assy., lacquer.	
49a	THE 135 P2 L	Mouthpipe Tube.	
49b	S 392 L	Mouthpipe End Ring.	
49c	S 004R L	Mouthpipe End Ring Knob (1 of 2pcs).	
49d	U 133 H	Mouthpipe Insert, upper.	
49e	H 508 H	Mouthpipe Insert, lower.	
50	T 280 N	Mouthpipe Retaining Screw, nickel-plated.	
51	F 004A L	Finger Support.	
52	T 033 L	Cardholder Socket with Plate.	
53	S 040	Cardholder Screw, lacquer.	
<hr/>			
54	T 226 L	Rod Brace with Plate.	
55	T 225 L	Barrel with Plate.	
56	A LY 0090A MP72 L	Brace with Plates, Mouthpipe Slide End Ring - to - Bell.	<i>Brace Length to be specified.</i>
57	A LX 0280A MP L	Brace with Plates, Mouthpipe Slide - to - Bell.	<i>Brace Length to be specified.</i>
58	A LX 0030B MP L	Brace with Plates, Branch - to - Bell.	<i>Brace Length to be specified.</i>
59	A LX 0170A MP L	Brace with Plates, Branch - to - 3rd Slide.	<i>Brace Length to be specified.</i>

Important:

1/ All metal parts polished and unlacquered, unless otherwise specified. Please specify desired finish, when ordering.

2/ Please indicate the Instrument's Model Number, when ordering.