

INSTRUMENTS PARTS CATALOGUE

Rotary Valve Instruments



Tubas

BBb Tuba CBB 681-4P

V.F.Cervený BBb Tuba CBB 681-4P

Yellow brass, 4 valves, 4/4 size, bore 20.2mm, bell 400mm, height 980mm, weight 9kg, nickel-silver Mouthpipe, Valve Casings, Hook and Trimmings, lacquer, silver-plated mouthpiece # 24AW, plastic case # 6796.

Available Options:

R - Bell Rim

X - Minibal Linkage Action

CBB 781-4MR - Red Brass Model

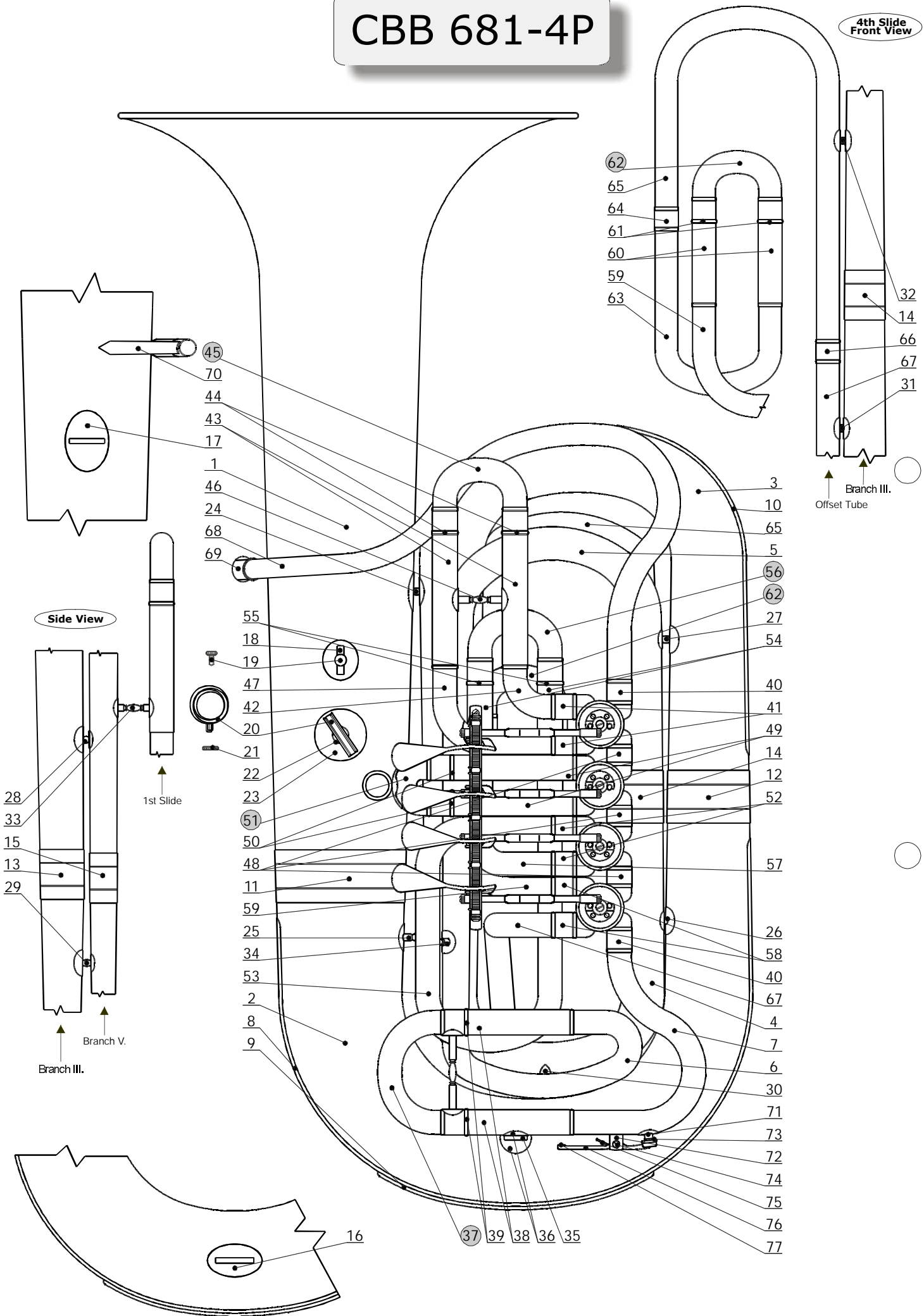
Valve Options:

This Tuba available with 3, 4, 5 or 6 Rotary Valves

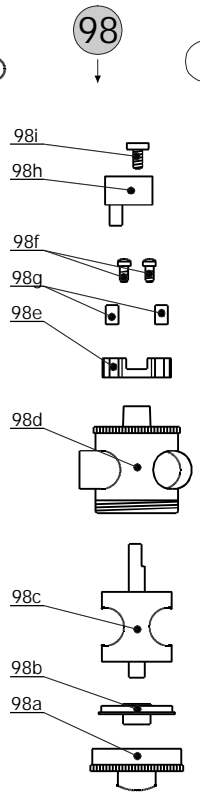
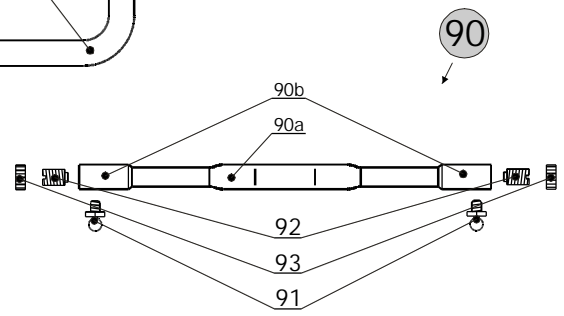
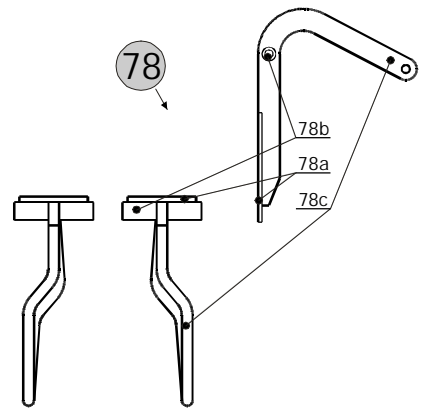
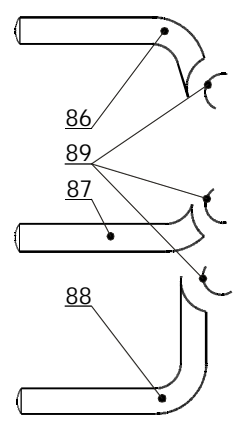
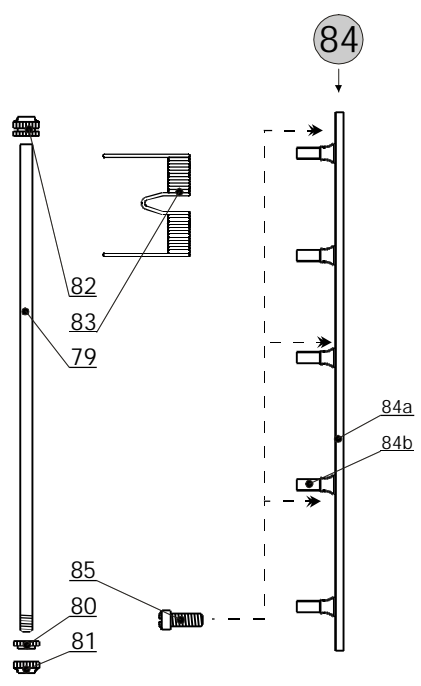
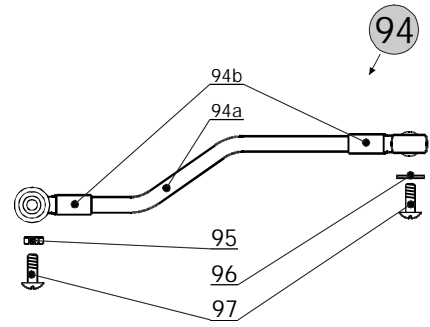
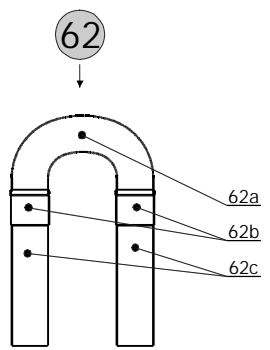
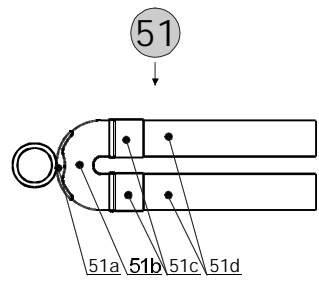
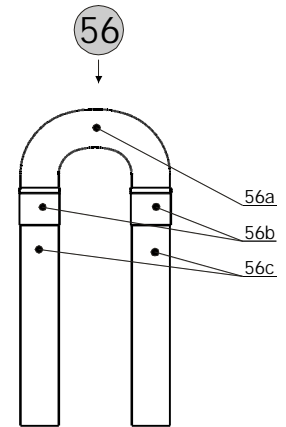
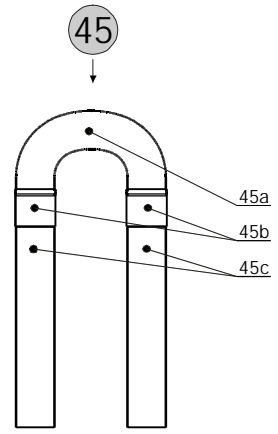
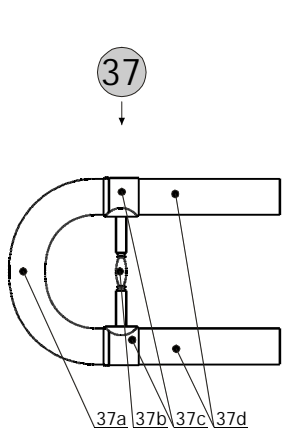
Last Update February 2005

www.amati-denak.cz

CBB 681-4P



CBB 681-4P



Parts For V.F.CERVENY BBb Tuba CBB 681-4P.

List #	Part #	Description	Note
1	OZV 681BB L	Bell, engraved with the 'V.F.Cerveny' Logo.	For CBB 681-4 models
	OZV 681BB RL	Bell with Rim, engraved with the 'V.F.Cerveny' Logo.	For CBB 681-4R models
2	1.DIL 681BB L	Branch I.	
	1.DIL 681BB KPL	Branch I complete with Guard, Comb and Connecting Ferrule.	
3	2.DIL 681BB L	Branch II.	
	2.DIL 681BB KPL	Branch II complete with Guard and Connecting Ferrule.	
4	3.DIL 681BB L	Branch III.	
5	4.DIL 681BB L	Branch IV.	
6	5.DIL 681BB L	Branch V.	
7	HACEK 681BB PL	Branch VI (Crook).	
8	KAPNA 1.D 681BB L	Bottom Bend Guard.	
9	HREBEN VC PL	Bottom Bend Guard Comb.	
10	KAPNA 2.D 681BB L	Branch II Guard.	
11	SK 681BB/1 Z2 L	Connecting Ferrule, Bell - to - Branch I.	
12	SK 681BB/2 Z2 L	Connecting Ferrule, Branch I - to - Branch II.	
13	SK 681BB/3 Z2 L	Connecting Ferrule, Branch II - to - Branch III.	
14	SK 681BB/4 Z2 L	Connecting Ferrule, Branch III - to - Branch IV.	
15	SK 681BB/5 Z2 L	Connecting Ferrule, Branch IV - to - Branch V.	
16	H 077HX L	Strap Ring with Plate, Branch I.	
17	H 075HX L	Strap Ring with Plate, Bell.	
18	T 039P L	Cardholder Socket.	
19	S 040P	Cardholder Screw, lacquer.	
20	OPK 05/VC P	Thumb Ring, lacquer.	
21	S 654P H	Thumb Ring Retaining Nut, lacquer.	
22	S 655P L	Thumb Ring Socket.	
23	P 169 L	Thumb Ring Socket Plate.	
24	C 004HP KL	Brace with Plates, Bell - to - Branch II.	Brace Length to be specified.
25	C 014HP KL	Brace with Plates, Branch I - to - Branch III (Bell side).	Brace Length to be specified.
26	C 003HP KL	Brace with Plates, Branch I - to - Branch III.	Brace Length to be specified.
27	C 003HP KL	Brace with Plates, Branch II - to - Branch IV.	Brace Length to be specified.
28	C 004HP KL	Brace with Plates, Branch II - to - Branch IV (Bell side).	Brace Length to be specified.
29	C 004HP KL	Brace with Plates, Branch III - to - Branch V (Bell side).	Brace Length to be specified.
30	C 003HP KL	Brace with Plates, Branch III - to - Branch V (Bottom side).	Brace Length to be specified.
31	C 003HP KL	Brace with Plates, Branch III - to - 4th Slide Offset Tube, large.	Brace Length to be specified.
32	C 003HP KL	Brace with Plates, Branch IV - to - 4th Slide Crook, large.	Brace Length to be specified.
33	C 028HP KL	Brace with Plates, Branch IV - to - 1st Slide.	Brace Length to be specified.
34	C 013HP KL	Brace with Plates, Branch V - to - 3rd Slide Offset Tube.	Brace Length to be specified.
35	O 369 L	Brace without Plates, Branch I - to - Tuning Slide.	
36	P 145 A PR.27 L	Plate of Brace, Branch I - to - Tuning Slide (1 of 2pcs).	
37	LS 681BB PK	BBb Tuning Slide complete, lacquer.	Outer Tubing to be ordered separately.
37a	OH 09 L	BBb Tuning Slide Bow.	
37b	C 064HP KL	BBb Tuning Slide Brace with Plates.	
37c	HTA 020 P12 Z2 L	BBb Tuning Slide Ferrule (1 of 2pcs).	
37d	THE 095 P12 L	BBb Tuning Slide Inner Tubing (1 of 2pcs).	
38	THA 095 P12 Z2 L	BBb Tuning Slide Outer Tubing (1 of 2pcs).	
39	KV 012 L	BBb Tuning Slide Outer Tubing Ring (1 of 2pcs).	
40	K 12D Z2 L	Connecting Ferrule, at the Valve Casing sides (1 of 2pcs).	
41	K 12D Z2 L	Connecting Ferrule, 1st Slide - to - 1st Valve Casing (1 of 2pcs).	
42	KO MA 1.V 681BB L	1st Slide Crook, small.	
43	THA 120 P12 Z2 L	1st Slide Outer Tubing (1 of 2pcs).	
44	KV 012 L	1st Slide Outer Tubing Ring (1 of 2pcs).	
45	SN 681BB 1PK	1st Slide complete, lacquer.	Outer Tubing to be ordered separately.
45a	OBL 1.V 681BB L	1st Slide Bow.	
45b	HTA 020 P12 Z2 L	1st Slide Ferrule (1 of 2pcs).	
45c	THE 120 P12 L	1st Slide Inner Tubing (1 of 2pcs).	
46	C 037HP KL	1st Slide Brace with Plates.	
47	KO VE 1.V 681BB L	1st Slide Crook, large.	
48	K 12K Z2 L	Valve Casings Connecting Ferrule (1 of 3pcs).	
49	THA 110 P12 Z2 L	2nd Slide Outer Tubing (1 of 2pcs).	
50	KV 012 L	2nd Slide Outer Tubing Ring (1 of 2pcs).	
51	SN 681BB 2PK	2nd Slide complete, lacquer.	Outer Tubing to be ordered separately.
51a	H 053P L	2nd Slide Bow Pull Ring with Plate.	
51b	OBL 2.V 681BB L	2nd Slide Bow.	
51c	HTA 020 P12 Z2 L	2nd Slide Ferrule (1 of 2pcs).	

51d	THE 110 P12 L	2nd Slide Inner Tubing (1 of 2pcs).	
52	K 12D Z2 L	Connecting Ferrule, 3rd Slide - to - 3rd Valve Casing (1 of 2pcs).	
53	KO UC 3.V 681BB L	3rd Slide Offset Tube, large.	
54	THA 120 P12 Z2 L	3rd Slide Outer Tubing (1 of 2pcs).	
55	KV 012 L	3rd Slide Outer Tubing Ring (1 of 2pcs).	
56	SN 681BB 3PK	3rd Slide complete, lacquer.	<i>Outer Tubing to be ordered separately.</i>
56a	OBL 1.V 681BB L	3rd Slide Bow.	
56b	HTA 020 P12 Z2 L	3rd Slide Ferrule (1 of 2pcs).	
56c	THE 120 P12 L	3rd Slide Inner Tubing (1 of 2pcs).	
57	KO VY 3.V 681BB L	3rd Slide Crook, small.	
58	K 12D Z2 L	Connecting Ferrule, 4th Slide - to - 4th Valve Casing (1 of 2pcs).	
59	KO CM 4.V 681BB L	4th Slide Offset Tube, small.	
60	THA 080 P12 Z2 L	4th Slide Outer Tubing (1 of 2pcs).	
61	KV 012 L	4th Slide Outer Tubing Ring (1 of 2pcs).	
62	SN 681BB 4PK	4th Slide complete, lacquer.	<i>Outer Tubing to be ordered separately.</i>
62a	OBL 1.V 681BB L	4th Slide Bow.	
62b	HTA 020 P12 Z2 L	4th Slide Ferrule (1 of 2pcs).	
62c	THE 080 P12 L	4th Slide Inner Tubing (1 of 2pcs).	
63	KO HM 4.V 681BB L	4th Slide Crook, small.	
64	K 12D Z2 L	Connecting Ferrule, Crook small - to - Crook large (1 of 2pcs).	
65	KO HV 4.V 681BB L	4th Slide Crook, large.	
66	K 12D Z2 L	Connect. Ferrule, Crook large - to - Offset Tube large (1 of 2pcs).	
67	KO CV 4.V 681BB L	4th Slide Offset Tube, large.	
68	ESO 681BB P Z2 L	Mouthpipe Nickel-silver complete with Mouthpiece Receiver.	
69	U 379P Z2 L	Mouthpiece Receiver.	
70	F 019/5 L	Bell - to - Mouthpiece Receiver Brace.	
71	PXL VC L	Waterkey Nipple with Plate.	
72	P 616P L	Waterkey Saddle.	
73	KOREK VK 5*13*10.5	Waterkey Nipple Cork.	
74	S 063P	Waterkey Screw, lacquer.	
75	P 312H	Waterkey Spring.	
76	VKM 008/VC N	Waterkey Lever, nickelplated.	
77	KOREK 0.5*30*40	Waterkey Lever Cork.	
**	VKM 008/VC KPN	Waterkey Assy (List # 73-77), nickelplated.	
78	RA CBB HOL 1	Valve Finger Lever Assy (1st Valve), lacquer.	
	RA CBB HOL 2	Valve Finger Lever Assy (2nd Valve), lacquer.	
	RA CBB HOL 3	Valve Finger Lever Assy (3rd Valve), lacquer.	
	RA CBB HOL 4	Valve Finger Lever Assy (4th Valve), lacquer.	
78a	P 157 L	Valve Finger Lever Plate.	
78b	TX7*36 L	Valve Finger Lever Rod.	
78c	PF 403/1B L	1st/2nd Valve Finger Lever Linkage.	
	PF 403/2B L	3rd/4th Valve Finger Lever Linkage.	
79	OSA HOL 681BB-4	Rod Screw.	
80	S 021P H	Rod Screw Retaining Nut, small.	
81	S 022P H	Rod Screw Retaining Nut, large.	
82	S 034P H	Rod Screw End Nut.	
83	PRUZ HOL VC	Lever Spring (1 of 4pcs).	
84	L 195 KL	Lever Bridge Assy.	
84a	L 195 L	Lever Bridge.	
84b	S 659 L	Lever Bridge Post (1 of 5pcs).	
85	S 050P	Lever Bridge Retaining Screw (1 of 3pcs), lacquer.	
86	P 701P VC L	Lever Bridge Support (on 1st Slide).	
87	P 702P VC L	Lever Bridge Support (on 2nd Slide).	
88	P 703P VC L	Lever Bridge Support (on 3rd Slide).	
89	PM 010 L	Lever Bridge Support Plate (1 of 3pcs).	
90	P 650P/1	1st/3rd Linkage complete (type Standard), lacquer.	
	P 650P/2	2nd/4th Linkage complete (type Standard), lacquer.	
90a	P 650P L	Linkage Rod.	
90b	S 635 L	Linkage Bearing (1 of 2pcs).	
91	S 632 H	Ball Pivot (1 of 2pcs).	
92	S 281 H	Linkage Screw (1 of 2pcs).	
93	S 280 H	Linkage Screw Nut (1 of 2pcs).	
94	P 650X/1 L	1st/3rd Linkage complete (type Minibal).	
	P 650X/2 L	2nd/4th Linkage complete (type Minibal).	
94a	P 650X L	Linkage Rod.	
94b	MINIBAL GK7-3	Minibal (1 of 2pcs).	
95	S 123P L	Minibal Screw Nut (Lever Side).	

96	MINIBAL DORAZ	Minibal Screw Bumper (Stop Arm Side).	
97	S 121P L	Minibal Screw (1 of 2pcs).	
**	SADA MINIBALM12/3	Set Of Linkages (type Minibal) complete for 3-Valves Tuba (List #94-97).	
**	SADA MINIBALM12/4	Set Of Linkages (type Minibal) complete for 4-Valves Tuba (List #94-97).	
**	TL HOL 681BB-4 PK	Lever Assy (type Standard), lacquer (List # 78-93)	
**	TL HOL 681BB-4X PK	Lever Assy (type Minibal), lacquer (List # 78-89, # 94-97)	
98	VENTIL 012 PK 1/2 L	1st/2nd Rotary Valve Assy.	
	VENTIL 012 PK 3/4 L	3rd/4th Rotary Valve Assy.	
98a	S 698/012P	Bottom Cap, lacquer.	
98b	S 699/012 H	Rotary Valve Support.	
98c	MC 012 H	Rotary Valve.	
98d	V 012P L	Rotary Valve Casing.	
98e	L 090P	Stop Plate, lacquer.	
98f	S 669P	Stop Plate Retaining Screw (1 of 2pcs), lacquer.	
98g	SIL.DORAZ 6	Bumper (length 1cm).	<i>SIL.DORAZ 6M = Bumper (length 1m).</i>
98h	T 102P	Stop Arm, lacquer.	
98i	S 434P	Stop Arm Retaining Screw, lacquer.	
**	MENIC 012 PL	Rotary Valve with Casing, lapped (List # 98b-98d).	

Important:

1/ All metal parts polished and unlacquer, unless otherwise specified. Please specify desired finish, when ordering.

2/ Please indicate the Instrument's Model Number, when ordering.