

## Piston Valve Instruments

Trombones



### ***Bb Valve Trombone AVT 276***

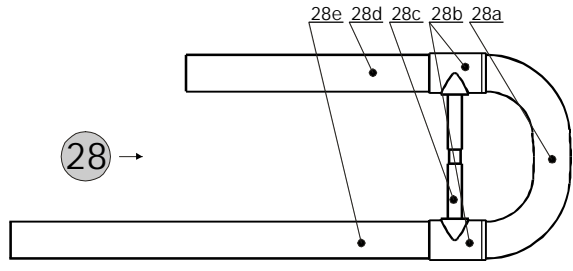
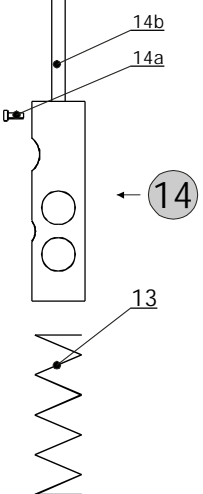
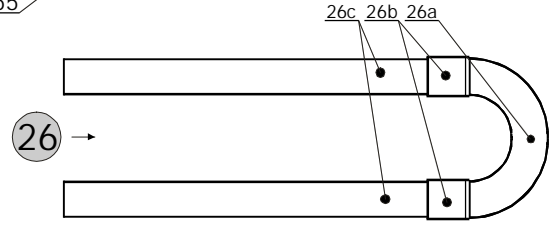
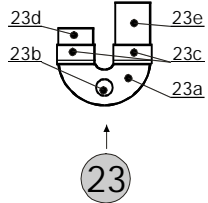
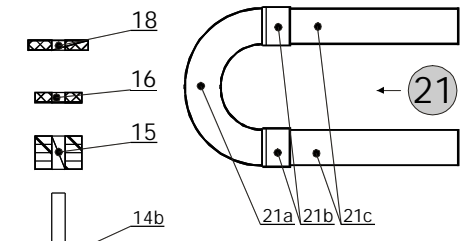
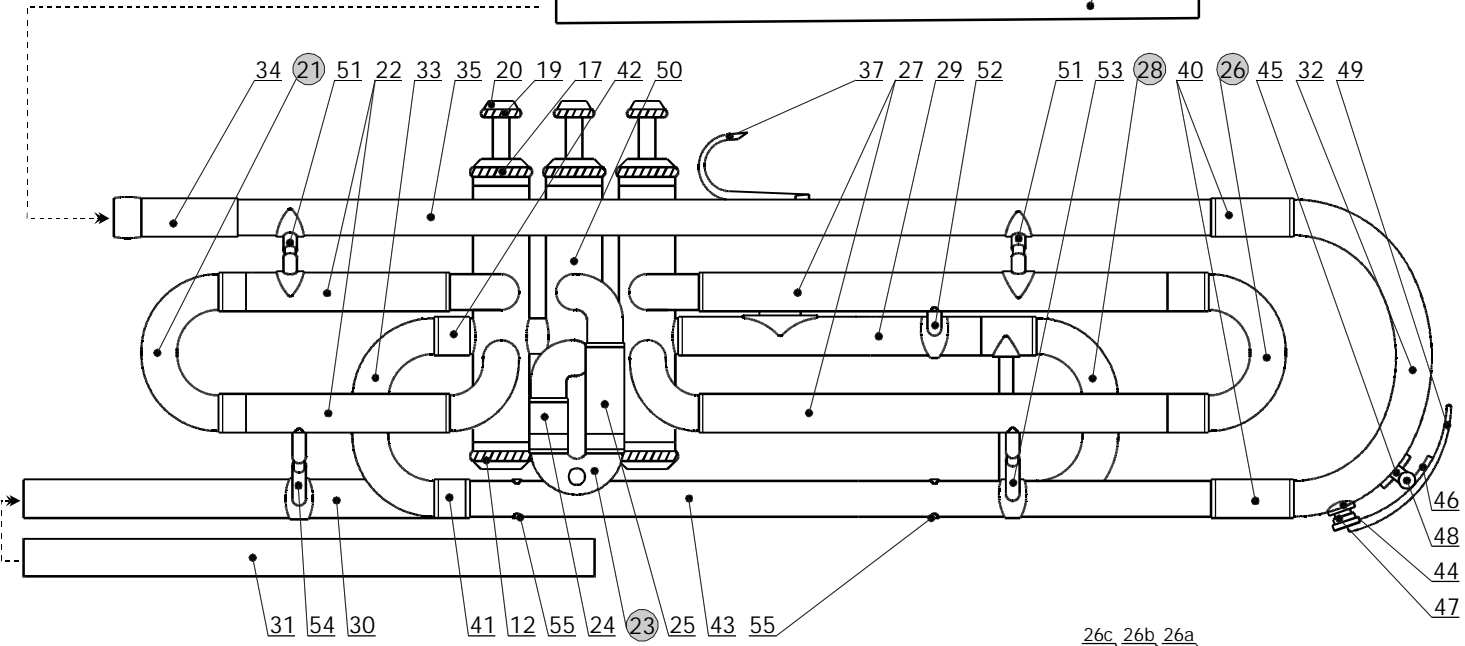
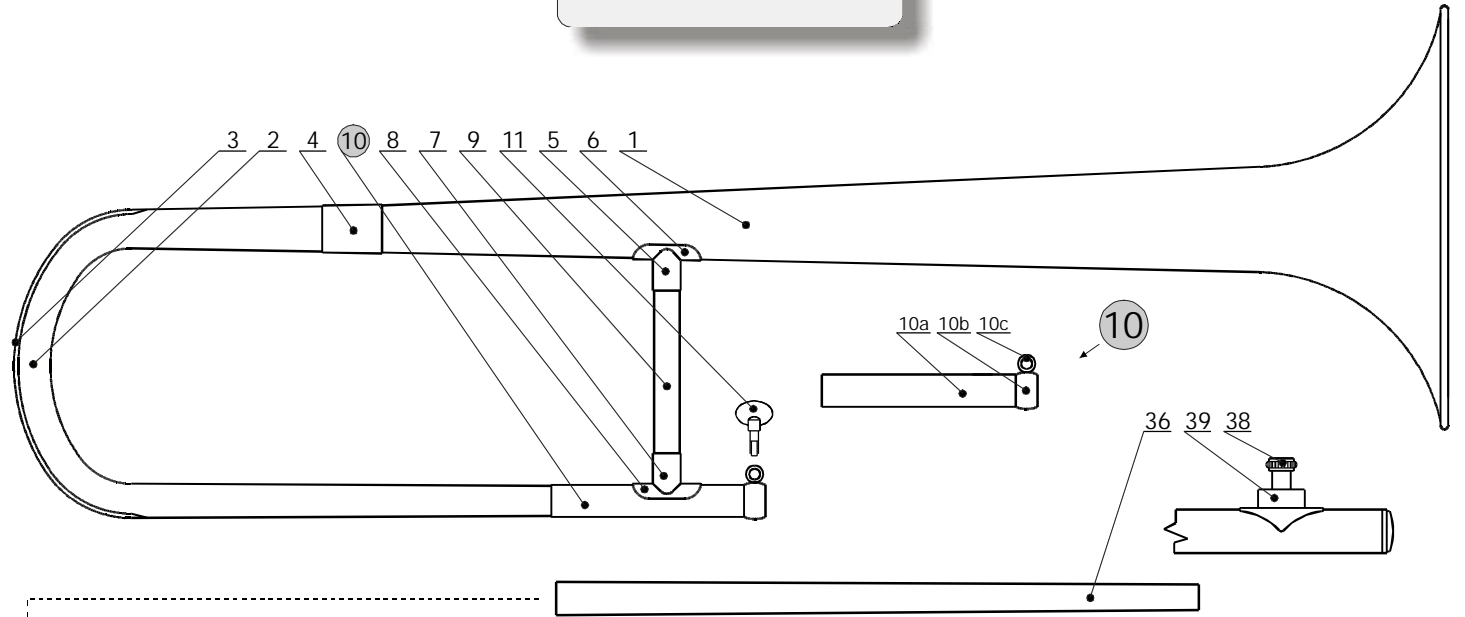


#### ***AMATI Bb Valve Trombone AVT 276***

*3 valves, bore 12.4mm, bell 200mm,  
short model, waterkey, lacquer,  
plastic case # 6661.*

***Last Update January2004***

# AVT 276



## Parts For AMATI Bb Valve Trombone AVT 276.

List #	Part #	Description	Note
<i>Bell Section</i>			
1	OZV 312SL L	Bell, engraved with the 'Amati Kraslice' Logo.	
2	DH 020 L	Branch I (Bow).	
	DH 020 KL	Branch I complete with Guard.	
3	DH 163 L	Bow Guard.	
4	SKA 028 M12 L	Connecting Ferrule, Bell - to Branch I.	
5	S 423 L	Brace Socket (Bell side).	
6	P 144 L	Plate for Brace Socket.	
**	T 008 L	Brace Socket complete with Plate (List # 5-6).	
7	S 502 L	Brace Socket (Slide Receiver side).	
8	P 145 L	Plate for Brace Socket.	
**	T 006 L	Brace Socket complete with Plate (List # 7-8).	
9	STE 110 M2 L	Brace Tube.	
10	SO 272VT L	Slide Receiver complete.	
10a	U 034A L	Slide Receiver Tube.	
10b	H 578 L	Slide Receiver Tube End Ring.	
10c	S 036	Slide Receiver Tube End Ring Barrel.	
11	T 281	Slide Receiver Retaining Screw, lacquer.	
**	OZV 271VT K	Bell Assy. complete (List # 1-11), lacquer.	
<i>Valve Slide Section</i>			
12	X 123	Bottom Cap, lacquer.	
13	P 380	Valve Spring.	
14	M 276VT 1K	1st Valve with Valve Stem&Guide.	
	M 276VT 2K	2nd Valve with Valve Stem&Guide.	
	M 276VT 3K	3rd Valve with Valve Stem&Guide.	
14a	Z 1220	Valve Guide.	
14b	S 548 L	Valve Stem.	
15	KOREK M 13*30*6	Valve Stem Cork.	
16	G 004BE	Valve Stem Felt, Blue.	
17	X 129	Top Cap, lacquer.	
18	G 007BE	Top Cap Felt, Blue.	
19	X 121 K	Finger Button complete with Pearl, lacquer.	
20	PERLET 13	Pearl Inlay.	
21	SN 271VT 1K	1st Slide complete, lacquer.	<i>Outer Tubing to be ordered separately.</i>
21a	O 103 L	1st Slide Bow.	
21b	HTA 010 M4 Z1 L	1st Slide Ferrule (1 of 2pcs).	
21c	THE 067 M4 L	1st Slide Inner Tubing (1 of 2pcs).	
22	THA 074 M4 Z1 L	1st Slide Outer Tubing (1 of 2pcs).	
23	SN 271VT 2K	2nd Slide complete, lacquer.	<i>Outer Tubing to be ordered separately.</i>
23a	O 010 L	2nd Slide Bow.	
23b	S 004 L	2nd Slide Bow Knob.	
23c	HTA 007 M4 Z1 L	2nd Slide Ferrule (1 of 2pcs).	
23d	THE 012 M4 L	2nd Slide Inner Tubing, short.	
23e	THE 025 M4 L	2nd Slide Inner Tubing, long.	
24	THA 013 M4 Z1 L	2nd Slide Outer Tubing, short.	
25	THA 032 M4 Z1 L	2nd Slide Outer Tubing, long.	
26	SN 271VT 3K	3rd Slide complete, lacquer.	<i>Outer Tubing to be ordered separately.</i>
26a	O 103 L	3rd Slide Bow.	
26b	HTA 015 M4 Z1 L	3rd Slide Ferrule (1 of 2pcs).	
26c	THE 164 M4 L	3rd Slide Inner Tubing (1 of 2pcs).	
27	THA 170 M4 Z1 L	3rd Slide Outer Tubing (1 of 2pcs).	
28	LS 276VT K	Tuning Slide complete, lacquer.	<i>Outer Tubing to be ordered separately.</i>
28a	O 104 L	Tuning Slide Bow.	
28b	SKA 020 M4 Z1 L	Tuning Slide Ferrule (1 of 2pcs).	
28c	A AX 0430D MM L	Tuning Slide Brace with Plates.	
28d	THE 095 M4 L	Tuning Slide Inner Tubing, short.	
28e	THE 156 M4 L	Tuning Slide Inner Tubing, long.	
29	THA 112 M4 Z1 L	Tuning Slide Outer Tubing, short.	
30	STE 349 U 34 L	Tuning Slide Outer Tubing, long.	
31	STE 198 M4 L	Tuning Slide Outer Tubing long Insert.	
32	O 108 L	Connecting Bow, large.	
33	O 104 L	Connecting Bow, small.	
34	U 276VT L	Mouthpiece Receiver, engraved with Model Number.	
35	STE 384 M4 L	Mouthpiece Overpart.	

36	DH 499A L	Mouthpipe.	
**	ESO 276VT L	Mouthpipe Assy. complete (List # 34-36).	
37	F 002 L	Pinky Hook.	
38	S 040	Cardholder Screw, lacquer.	
39	T 029 L	Cardholder Socket with Plate.	
40	SKA 030 M4 Z2 L	Connecting Ferrule, large (1of 2pcs.)	
41	SKA 013 M4 Z2 L	Connecting Ferrule, small.	
42	SKA 013 M4 Z1 L	Connecting Ferrule, small.	
43	STE 294 M4 L	Connecting Tube.	
44	S 498 L	Waterkey Nipple.	
45	P 372 L	Waterkey Saddle.	
46	P 312	Waterkey Spring.	
47	KOREK VK 4*8.5	Waterkey Cork.	
48	S 063	Waterkey Screw, lacquer.	
49	VKM 043	Waterkey Lever, lacquer.	
**	VKM 043 K	Waterkey Assy. complete (List # 46-49), lacquer.	
50	PS 271VT L	Valve Casing Assy. without Slides.	<i>Valves to be ordered separately.</i>
	SP 271VT L	Valve Casing Assy. complete with Slides.	<i>Valves to be ordered separately.</i>
51	A AX 0150D MM L	Brace with Plates, Mouthpipe Overpart - to - 1st Slide.	<i>Brace Length to be specified.</i>
		Brace with Plates, Mouthpipe Overpart - to - 3rd Slide.	<i>Brace Length to be specified.</i>
52	A AX 0220D MM L	Brace with Plates, 3rd Slide - to - Tuning Slide.	<i>Brace Length to be specified.</i>
53	A AX 0270D MM L	Brace with Plates, 3rd Slide - to - Connecting Tube.	<i>Brace Length to be specified.</i>
54	A AX 0400D MM L	Brace with Plates, 1st Slide - to - Tuning Slide.	<i>Brace Length to be specified.</i>
55	A AX 0020B MM L	Brace with Plates, Tuning Slide - to - Connecting Tube (1 of 2pcs).	
**	SN 276VT K	Valve Slide Assy. complete (List # 12-55), lacquer.	

**Important:**

1/ All metal parts polished and unlacquered, unless otherwise specified. Please specify desired finish, when ordering.

2/ Please indicate the Instrument's Model Number, when ordering.