

Piston Valve Instruments

Trombones



C/Bb Valve Trombone AVT 272A

(and AVT 272)



AMATI C/Bb Valve Trombone AVT 272A

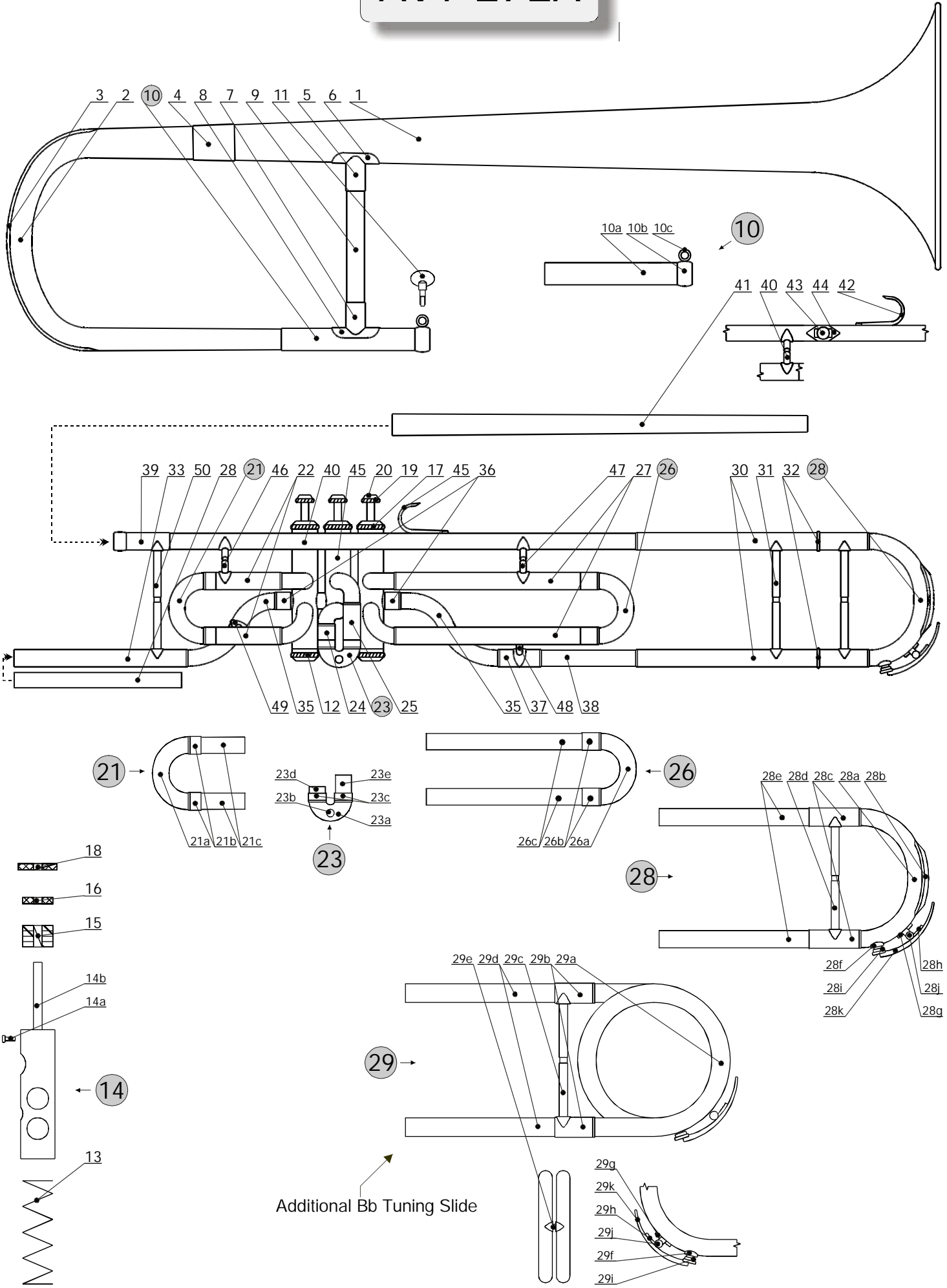
*3 valves, bore 12.4mm, bell 180mm,
long model, additional Bb slide, tuning slide
waterkey, lacquer, plastic case # 6663.*

Related models:

AVT 272 - without additional Bb slide.

Last Update January 2004

AVT 272A



Parts For AMATI C/Bb Valve Trombone AVT 272A.

List #	Part #	Description	Note
<i>Bell Section</i>			
1	OZV 272VT L	Bell, engraved with the 'Amati Kraslice' Logo.	
2	DH 030 L	Branch I (Bow).	
	DH 030 KL	Branch I complete with Guard.	
3	DH 163 L	Bow Guard.	
4	SKE 028 M12 L	Connecting Ferrule, Bell - to Branch I.	
5	S 423 L	Brace Socket (Bell side).	
6	P 144 L	Plate for Brace Socket.	
**	T 008 L	Brace Socket complete with Plate (List # 5-6).	
7	S 502 L	Brace Socket (Slide Receiver side).	
8	P 145 L	Plate for Brace Socket.	
**	T 006 L	Brace Socket complete with Plate (List # 7-8).	
9	STE 110 M2 L	Brace Tube.	
10	SO 272VT L	Slide Receiver complete.	
10a	U 034A L	Slide Receiver Tube.	
10b	H 578 L	Slide Receiver Tube End Ring.	
10c	S 036	Slide Receiver Tube End Ring Barrel.	
11	T 281	Slide Receiver Retaining Screw, lacquer.	
**	OZV 272VT K	Bell Assy. complete (List # 1-11), lacquer.	
<i>Valve Slide Section</i>			
12	X 123	Bottom Cap, lacquer.	
13	P 380	Valve Spring.	
14	M 276VT 1K	1st Valve with Valve Stem&Guide.	
	M 276VT 2K	2nd Valve with Valve Stem&Guide.	
	M 276VT 3K	3rd Valve with Valve Stem&Guide.	
14a	Z 1220	Valve Guide.	
14b	S 548 L	Valve Stem.	
15	KOREK M 13*30*6	Valve Stem Cork.	
16	G 004BE	Valve Stem Felt, Blue.	
17	X 129	Top Cap, lacquer.	
18	G 007BE	Top Cap Felt, Blue.	
19	X 121 K	Finger Button complete with Pearl, lacquer.	
20	PERLET 13	Pearl Inlay.	
21	SN 272VT 1K	1st Slide complete, lacquer.	<i>Outer Tubing to be ordered separately.</i>
21a	O 103 L	1st Slide Bow.	
21b	HTA 010 M4 Z1 L	1st Slide Ferrule (1 of 2pcs).	
21c	THE 040 M4 L	1st Slide Inner Tubing (1 of 2pcs).	
22	THA 053 M4 Z1 L	1st Slide Outer Tubing (1 of 2pcs).	
23	SN 272VT 2K	2nd Slide complete, lacquer.	<i>Outer Tubing to be ordered separately.</i>
23a	O 010 L	2nd Slide Bow.	
23b	S 004 L	2nd Slide Bow Knob.	
23c	HTA 007 M4 Z1 L	2nd Slide Ferrule (1 of 2pcs).	
23d	THE 010 M4 L	2nd Slide Inner Tubing, short.	
23e	THE 022 M4 L	2nd Slide Inner Tubing, long.	
24	THA 012 M4 Z1 L	2nd Slide Outer Tubing, short.	
25	THA 030 M4 Z1 L	2nd Slide Outer Tubing, long.	
26	SN 272VT 3K	3rd Slide complete, lacquer.	<i>Outer Tubing to be ordered separately.</i>
26a	O 103 L	3rd Slide Bow.	
26b	HTA 015 M4 Z1 L	3rd Slide Ferrule (1 of 2pcs).	
26c	THE 132 M4 L	3rd Slide Inner Tubing (1 of 2pcs).	
27	THA 149 M4 Z1 L	3rd Slide Outer Tubing (1 of 2pcs).	
28	LS 272VT K	C Tuning Slide complete (including Waterkey), lacquer.	<i>Outer Tubing to be ordered separately.</i>
28a	O 107 L	C Tuning Slide Bow.	
28b	P 274M L	C Tuning Slide Bow Guard.	
28c	HTA 040 M4 Z1 L	C Tuning Slide Ferrule (1 of 2pcs).	
28d	A AX 0770W MM L	C Tuning Slide Brace with Plates.	
28e	THE 150 M4 L	C Tuning Slide Inner Tubing (1 of 2pcs).	
28f	S 498 L	Waterkey Nipple.	
28g	P 372 L	Waterkey Saddle.	
28h	P 312	Waterkey Spring.	
28i	KOREK VK 4*8.5	Waterkey Cork.	
28j	S 063	Waterkey Screw, lacquer.	
28k	VKM 043	Waterkey Lever, lacquer.	
**	VKM 043 K	Waterkey Assy. complete (List # 28h-28k), lacquer.	

29	LS 272VT BK	Bb Tuning Slide complete (including Waterkey), lacquer.	<i>Outer Tubing to be ordered separately.</i>
29a	O 407 L	Bb Tuning Slide Crook.	
29b	HTA 029 M4 Z1 L	Bb Tuning Slide Ferrule (1 of 2pcs).	
29c	A AX 0770W MM L	Bb Tuning Slide Brace with Plates.	
29d	THE 140 M4 L	Bb Tuning Slide Inner Tubing (1 of 2pcs).	
29e	A AX 0020B MM L	Bb Tuning Slide Crook Brace with Plates.	
29f	S 498 L	Waterkey Nipple.	
29g	P 372 L	Waterkey Saddle.	
29h	P 312	Waterkey Spring.	
29i	KOREK VK 4*8.5	Waterkey Cork.	
29j	S 063	Waterkey Screw, lacquer.	
29k	VKM 043	Waterkey Lever, lacquer.	
**	VKM 043 K	Waterkey Assy. complete (List # 29h-29k), lacquer.	
30	THA 148 M4 Z1 L	C/Bb Tuning Slide Outer Tubing (1 of 2pcs).	
31	A AX 0770W MM L	C/Bb Tuning Slide Outer Tubing Brace.	
32	H 240 L	C/Bb Tuning Slide Outer Tubing Ring (1 of 2pcs).	
33	STE 139 U 34 Z1 L	Slide End Shank.	
34	STE 128 M4 L	Slide End Shank Insert.	
35	D 041 L	Crook (1 of 2pcs).	
36	SKA 012 M4 Z1 L	Connecting Ferrule, small (1of 2pcs).	
37	SKA 035 M4 Z2 L	Connecting Ferrule, large.	
38	STE 120 M4 L	Connecting Tube.	
39	U 276VT L	Mouthpiece Receiver, engraved with Model Number.	
40	STE 415 M4 L	Mouthpipe Overpart.	
41	DH 499A L	Mouthpipe.	
**	ESO 272VT L	Mouthpipe Assy. complete (List # 39-41).	
42	F 002 L	Pinky Hook.	
43	S 040	Cardholder Screw, lacquer.	
44	T 029 L	Cardholder Socket with Plate.	
45	PS 271VT L	Valve Casing Assy. without Slides.	<i>Valves to be ordered separately.</i>
	SP 272VT L	Valve Casing Assy. complete with Slides.	<i>Valves to be ordered separately.</i>
46	A AX 0210D MM L	Brace with Plates, Mouthpipe Overpart - to - 1st Slide.	<i>Brace Length to be specified.</i>
47	A AX 0200D MM L	Brace with Plates, Mouthpipe Overpart - to - 3rd Slide.	<i>Brace Length to be specified.</i>
48	A AX 0120D MM L	Brace with Plates, 3rd Slide - to - Connecting Ferrule.	<i>Brace Length to be specified.</i>
49	A AY 0100D MM37 L	Brace with Plates, 1st Slide - to - Crook.	<i>Brace Length to be specified.</i>
50	A AX 0760W MM L	Brace with Plates, Mouthpiece Receiver - to - End Shank.	<i>Brace Length to be specified.</i>
**	SN 272VT K	Valve Section Assy. complete (List # 12-28, 29-50), lacquer.	<i>Bb Slide to be ordered separately.</i>

Important:

1/ All metal parts polished and unlacquered, unless otherwise specified. Please specify desired finish, when ordering.

2/ Please indicate the Instrument's Model Number, when ordering.