

## Piston Valve Instruments

Trumpets



### **Bb Herald Trumpet ATR 393**

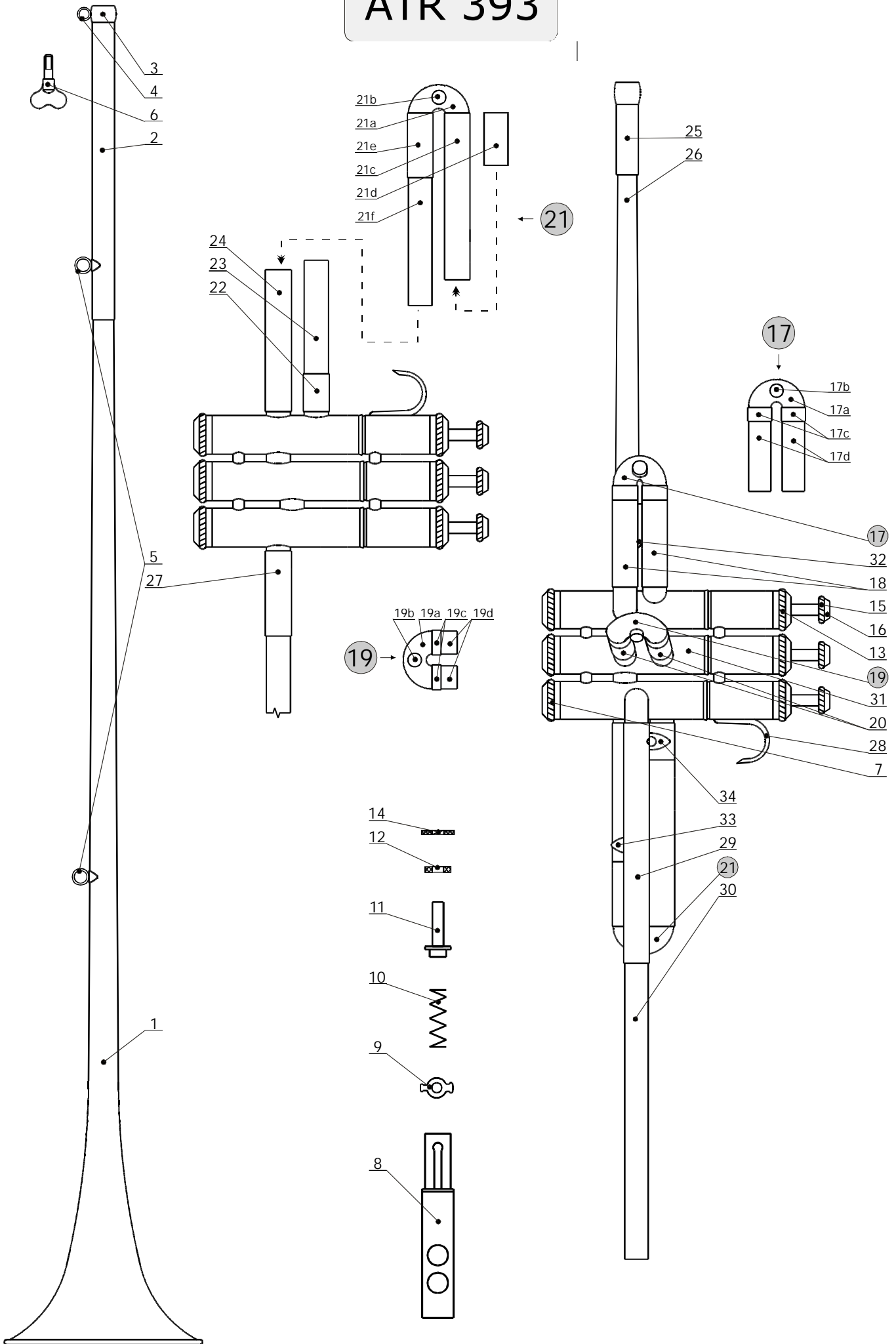


#### **AMATI Bb Herald Trumpet ATR 393**

**"AIDA" model, 3 valves, bore 11.7mm,  
bell 125mm, lacquer, silver-plated  
mouthpiece # 7C, wood case # 6104.**

**Last Update April2004**

# ATR 393



## Parts For AMATI Bb Herald Trumpet ATR 393.

List #	Part #	Description	Note
<i>Bell Section</i>			
1	OZV 393TR L	Bell, engraved with the 'Amati Kraslice' Logo.	
2	STA 190 MU3 L	Connecting Tube.	
3	H 587 L	Bell End Ring.	
4	S 036 L	Bell End Retaining Nut.	
**	SO 393TR L	Valve Section Receiver Assy. (List # 2-4).	
5	H 019 L	Flag Ring with Plate (1 of 2pcs).	
**	OZV 393TR K	Bell Assy. complete (List # 1-5), lacquer.	
6	T 280	Retaining Screw, lacquer.	
<i>Valve Section</i>			
7	X 123	Bottom Cap, lacquer.	
	M 131TR 1	1st Valve.	
8	M 131TR 2	2nd Valve.	
	M 131TR 3	3rd Valve.	
9	Z 0040	Valve Guide.	
10	P 310	Valve Spring.	
11	S 153 H	Valve Stem Plug.	
12	G 004BE	Valve Stem Plug Felt, Blue.	
13	X 122	Top Cap, lacquer.	
14	G 007BR	Top Cap Felt, Brown.	Also available: G 007RE (red), G 007B (black), G 007GN (green), G 007BE (blue).
15	X 121 K	Finger Button complete with Pearl, lacquer.	
16	PERLET 13	Pearl Inlay.	
17	SN 211TR 1K	1st Slide complete, lacquer.	
17a	O 006 L	1st Slide Bow.	
17b	S 497 L	1st Slide Bow Knob.	
17c	HTA 008 MU3 L	1st Slide Ferrule (1 of 2pcs).	
17d	THE 046 MU3 L	1st Slide Inner Tubing (1 of 2pcs).	
18	THA 046 MU3 L	1st Slide Outer Tubing (1 of 2pcs).	
19	SN 211TR 2K	2nd Slide complete, lacquer.	
19a	O 006 L	2nd Slide Bow.	
19b	S 497 L	2nd Slide Bow Knob.	
19c	HTA 005 MU3 L	2nd Slide Ferrule (1 of 2pcs).	
19d	THE 11.5 MU3 L	2nd Slide Inner Tubing (1 of 2pcs).	
20	THA 013 MU3 L	2nd Slide Outer Tubing (1 of 2pcs).	
21	SN 393TR 3K	3rd Slide complete, lacquer.	
21a	O 006 L	3rd Slide Bow.	
21b	S 497 L	3rd Slide Bow Knob.	
21c	THA 090 MU3 L	3rd Slide Outer Tubing, long.	
21d	THE 028 MU3 L	3rd Slide Outer Tubing Insert.	
21e	HTA 035 MU3 L	3rd Slide Ferrule, long.	
21f	THE 101 MU3 L	3rd Slide Inner Tubing, long.	
22	HTA 020 MU3 L	3rd Slide Ferrule, short.	
23	THE 074 MU3 L	3rd Slide Inner Tubing, short.	
24	THA 075 MU3 L	3rd Slide Outer Tubing, short.	
25	U 211TR L	Mouthpiece Receiver, engraved with Model Number.	
26	D 227/393TR L	Mouthpipe.	
	ESO 393TR L	Mouthpipe complete with Mouthpiece Receiver.	
27	SKA 045 MU3 L	Connecting Ferrule at 1st Valve Casing.	
28	F 002 L	Pinky Hook.	
29	STA 130 MU3 L	Connecting Tube, outer part.	
30	STE 275 MU3 L	Connecting Tube, inner part.	
31	PS 213TR L	Valve Casing Assy. without Slides.	Valves to be ordered separately.
	SP 393TR L	Valve Casing Assy. complete with Slides.	Valves to be ordered separately.
32	A UX 0070B MM L	Brace with Plates, 1st Slide - to - Connecting Ferrule.	Brace Length to be specified.
33	A UX 0100B MM L	Brace with Plates, 3rd Slide - to - Connecting Tube, short.	Brace Length to be specified.
34	A UX 0120D MM L	Brace with Plates, 3rd Slide - to - Connecting Tube, long.	Brace Length to be specified.
**	SN 393TR K	Valve Section Assy. complete, lacquer (List # 7-34), lacquer.	Valves to be ordered separately.

### Important:

1/ All metal parts polished and unlacquered, unless otherwise specified. Please specify desired finish, when ordering.

2/ Please indicate the Instrument's Model Number, when ordering.