

Brass Instruments

Slide Trombones



Bb/F Tenor-Bass Slide Trombone ASL 661



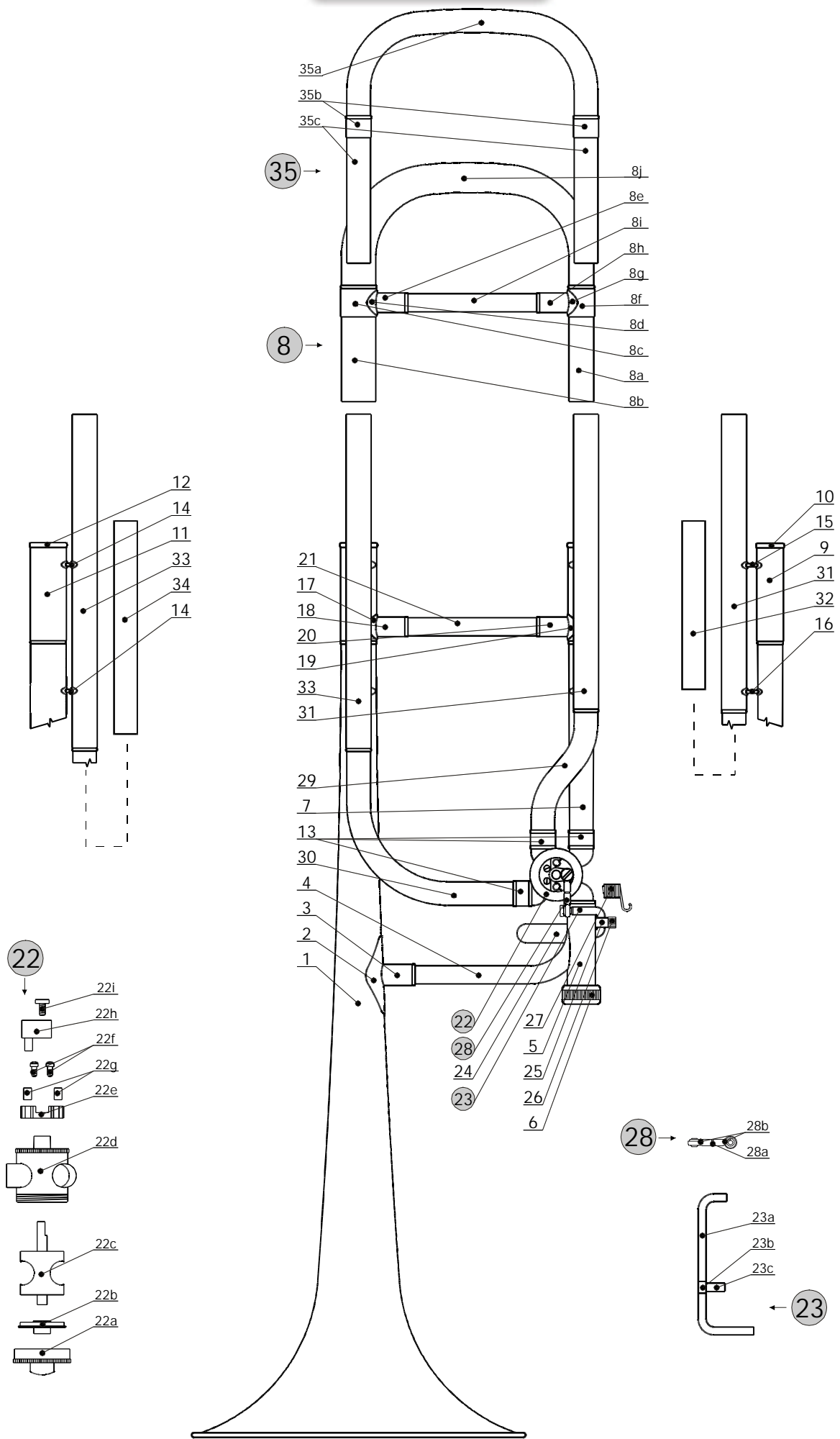
AMATI Bb/F Tenor-Bass Slide Trombone ASL 661

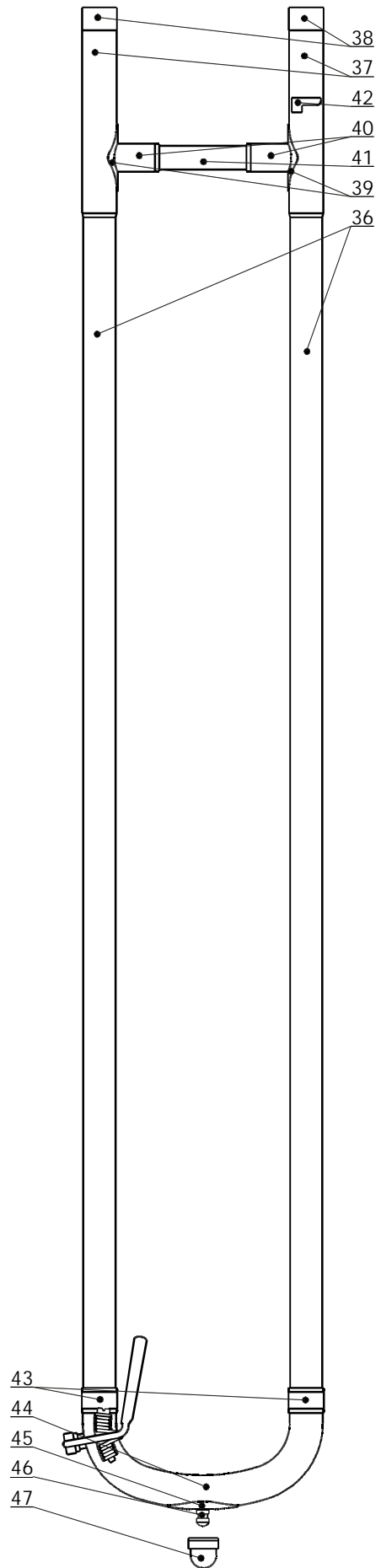
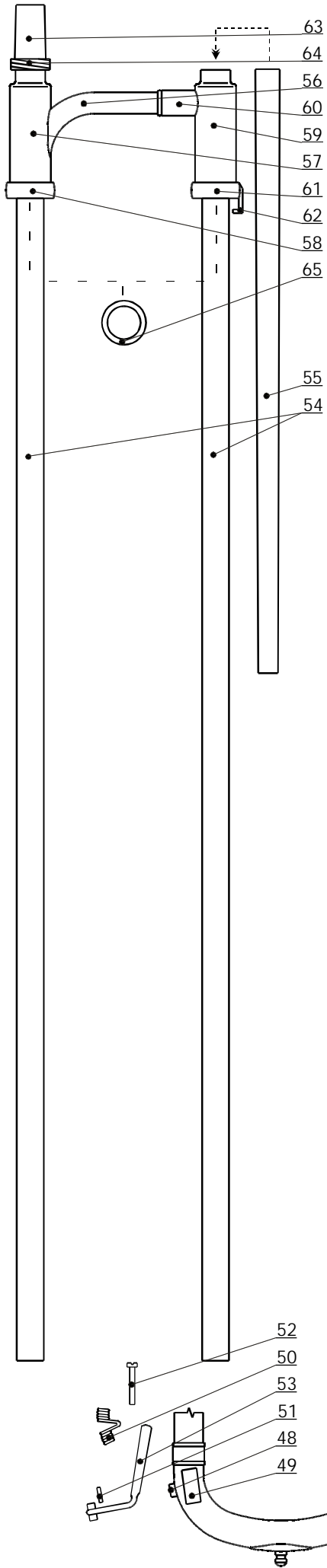
professional model, lightweight nickel-silver inner and outer slides, inner hand slide chrome-plated, bore 13.89mm, bell 215mm, wide open wrap, waterkey, nickel-silver trimmings, ergonomic hand braces, minimal action, lacquer, silver-plated mouthpiece # 11C, plastic case # 6672.

Related models:
ASL 661J - F rotary valve HAGMAN.

Last Update March2004

ASL 661





Parts For AMATI Bb/F Tenor-Bass Slide Trombone ASL 661.

List #	Part #	Description	Note
<i>Bell Section</i>			
1	OZV 382SL/215 L	Bell, engraved with the 'Amati Kraslice' Logo.	
2	P 003P L	Plate large.	
3	H 142P L	Brace Socket for large Plate.	
**	T 015 L	Brace Socket complete with Plate (List # 2-3).	
4	P 083P L	Brace Tube.	
5	S 087P L	Slide Receiver.	
6	S 086 L	Bell Lock Nut.	
**	T 109 L	Slide Receiver Assy. (List # 4-6).	
7	D 232 L	Connecting Tube.	
8	LS 661SL K	Tuning Slide complete, lacquer.	
8a	THE 064 M7 L	Tuning Slide Inner Tubing, small.	
8b	THE 064 M13 L	Tuning Slide Inner Tubing, large.	
8c	HTA 020 P13 L	Tuning Slide Connecting Ring large.	
8d	P 103P L	Brace Socket Plate for large Connecting Ring.	
8e	H 114 L	Brace Socket for large Connecting Ring.	
**	T 061 L	Brace Socket complete with Plate (List # 8d-8e).	
8f	HTA 020 P7 L	Tuning Slide Connecting Ring small.	
8g	P 104P L	Brace Socket Plate for small Connecting Ring.	
8h	H 115 L	Brace Socket for small Connecting Ring.	
**	T 060 L	Brace Socket complete with Plate (List # 8g-8h).	
8i	H 116 L	Tuning Slide Brace Tube.	
8j	OH 10 L	Tuning Slide Bow.	
9	THA 065 P7 L	Tuning Slide Outer Tubing, small.	
10	S 274P L	Tuning Slide Outer Tubing Ring, small.	
11	THA 065 P13 L	Tuning Slide Outer Tubing, large.	
12	S 275P L	Tuning Slide Outer Tubing Ring, large.	
13	H 110 L	Connecting Ferrule, small (1 of 3pcs).	
14	A UX 0030B PP L	Brace with Plates (1 of 2pcs).	<i>Brace Length to be specified.</i>
15	A UX 0060B PP L	Brace with Plates.	<i>Brace Length to be specified.</i>
16	A UX 0065B PP L	Brace with Plates.	<i>Brace Length to be specified.</i>
17	P 103P L	Brace Socket Plate for Outer Tubing large.	
18	H 114 L	Brace Socket.	
**	T 061 L	Brace Socket complete with Plate (List # 17-18).	
19	P 104P L	Brace Socket Plate for Outer Tubing small.	
20	H 115 L	Brace Socket.	
**	T 060 L	Brace Socket complete with Plate (List # 19-20).	
21	H 116 L	Brace Tube.	
<i>F Attachment</i>			
22	KVF 661ASL L	F Rotary Valve Assy.	
22a	S 698/M7 L	Bottom Cap.	
22b	S 699/M7 L	Rotary Valve Support.	
22c	MC 007 L	Rotary Valve.	
22d	V 006 VIDL L	Rotary Valve Casing.	
22e	L 081H L	Stop Plate.	
22f	S 669 L	Stop Plate Retaining Screw (1 pf 2pcs).	
22g	SNURA 5	Bumper (length 1cm).	<i>SNURA PR.5 = Bumper (length 1meter).</i>
22h	T 100 L	Stop Arm.	
22i	S 434 L	Stop Arm Retaining Screw.	
23	T 024 N	Lever without Grip, nickel-plated.	
23a	S 064 L	Lever Linkage.	
23b	S 065 L	Lever Rod Tube Socket.	
23c	S 066 L	Lever Rod Tube.	
24	GP 03	Lever Grip.	
25	S 182 L	Lever Holder.	
26	S 070P	Lever Screw, lacquer.	
27	P 314	Lever Spring.	
28	T 030	Linkage complete (type Minibal).	
28a	S 056 L	Linkage Rod.	
28b	MINIBAL GK6-3 L	Minibal (1 of 2pcs).	
29	R 074 L	Crook small.	
30	D 146 L	Crook large.	
31	THA 190 P6 L	F Tuning Slide Outer Tubing, short.	
32	THE 099 M6 L	F Tuning Slide Outer Tubing Insert, short.	
33	THA 215 P6 L	F Tuning Slide Outer Tubing, long.	

34	THE 124 M6 L	F Tuning Slide Outer Tubing Insert, long.
35	LS 661SL FK	F Tuning Slide complete, lacquer.
35a	O 170 L	F Tuning Slide Bow.
35b	HTA 014 P6 L	F Tuning Slide Ferrule (1 of 2pcs).
35c	THE 086 M6 L	F Tuning Slide Inner Tubing (1 of 2pcs).
**	OZV 661SL K	Bell Assy. complete (List # 1-35), lacquer.

Hand Slide Section

36	MS 006Y L	Hand Slide Outer Tubing (1 of 2pcs).
37	H 322 L	Reinforcing Tube (1 of 2pcs).
38	H 029 L	Reinforcing Tube End Ring (1 of 2pcs).
39	P 105P L	Plate (1 of 2pcs).
40	H 093 L	Brace Socket for Reinforcing Tube (1 of 2pcs).
**	T 105 L	Brace Socket complete with Plate (List # 39-40).
41	H 104 L	Brace Tube.
42	P 277M L	Slide Lock Nut Hinge.
43	H 086 L	Hand Slide Ferrule (1 of 2pcs).
44	O 199 L	Hand Slide Crook.
45	P 609P L	Hand Slide Crook Guard Plate.
46	S 047P L	Hand Slide Crook Guard.
**	T 017 L	Hand Slide Crook Guard complete with Plate (List # 45-46).
47	CEPICKA SL	Hand Slide Crook Guard Bumper.
48	S 499 L	Waterkey Nipple.
49	P 289 L	Waterkey Saddle.
50	P VKP	Waterkey Spring.
51	KOREK VK 5*11*8	Waterkey Cork.
52	S 069P	Waterkey Screw, lacquer.
53	VKV 034 N	Waterkey Lever, nickel-plated.
**	VKV 034 KN	Waterkey Assy. complete (List # 50-53).
**	SN 661SL O	Outer Hand Slide Assy. complete (List # 36-53), lacquer.
54	MI 006Y CR	Hand Slide Inner Tubing (1 of 2pcs), chrome-plated.
55	DH 096 L	Mouthpipe.
56	P 084P L	Brace Tube.
57	S 088 L	Slide Overpart.
**	T 107 L	Slide Overpart complete with Brace Tube (List # 56-57).
58	S 082 L	Slide Overpart Nut.
59	S 081 L	Mouthpiece Receiver.
60	H 092 L	Brace Socket.
61	S 083 L	Slide Lock Nut.
62	S 089 L	Slide Lock Nut Tab.
**	T 059	Slide Lock Nut complete, lacquer (List # 61-62).
**	T 108 L	Mouthpiece Receiver Assy. (List # 59-62).
63	S 084P L	End Shank.
64	S 085 L	End Shank Thread.
65	DK MI 006	Slide Bumper (1 of 2pcs).
**	SN 661SL I	Inner Hand Slide Assy. complete (List # 54-65), lacquer.
**	SN 661SL K	Hand Slide complete, lacquer (List # 36-65). lacquer.

Important:

1/ All metal parts polished and unlacquered, unless otherwise specified. Please specify desired finish, when ordering.

2/ Please indicate the Instrument's Model Number, when ordering.