

INSTRUMENTS PARTS CATALOGUE

Brass Instruments

Slide Trombones



Eb Alto Slide Trombone ASL 601



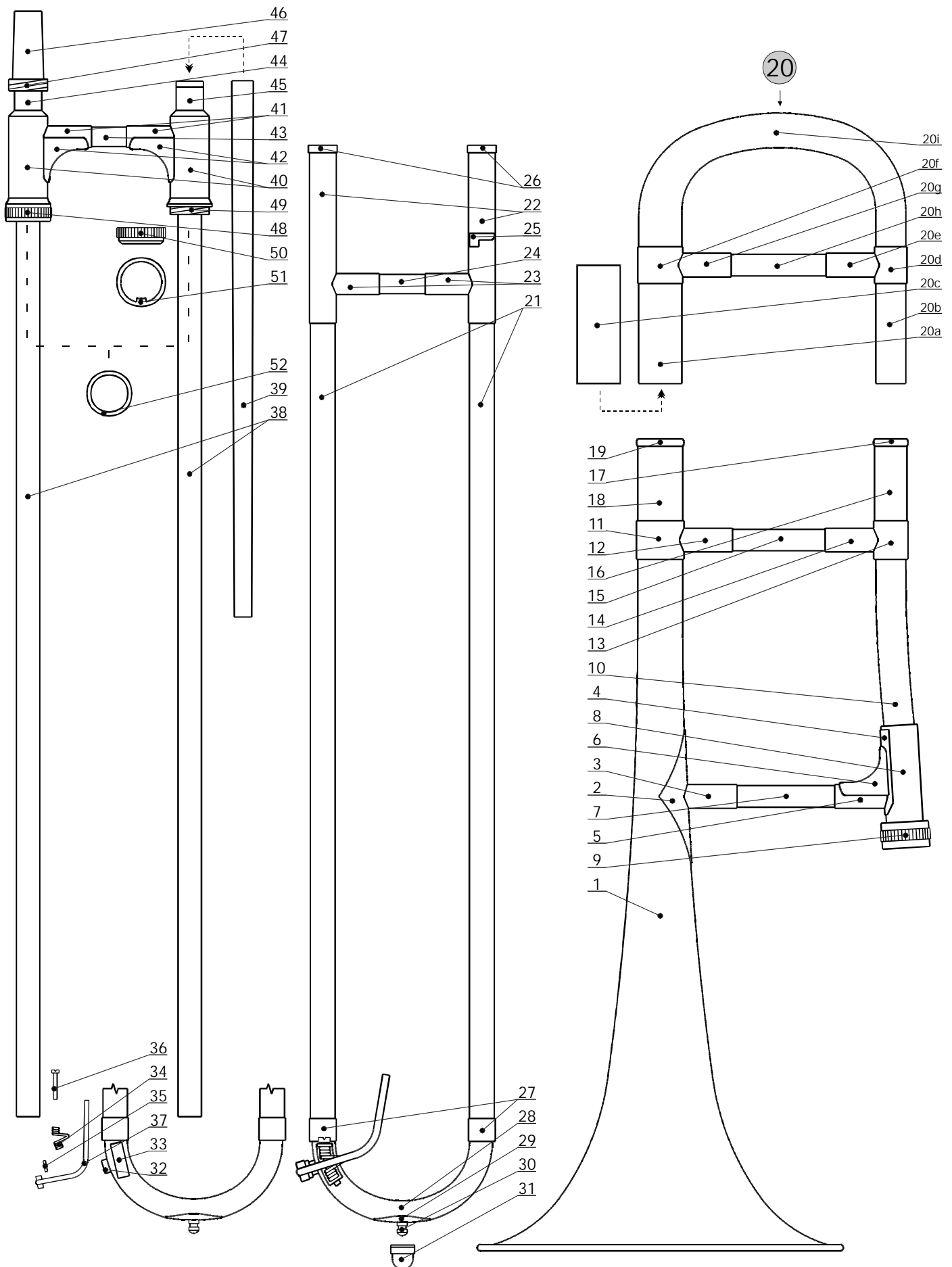
AMATI Eb Alto Slide Trombone ASL 601

bore 11.5mm, bell 165mm, waterkey, lacquer, nickel-silver trimmings, finger supports, silver-plated mouthpiece # 21C, plastic case # 6669.

Last Update August2004

www.amati-denak.cz

ASL 601



Parts For AMATI Eb Alto Slide Trombone ASL 601.

List #	Part #	Description	Note
<i>Bell Section</i>			
1	OZV 601SL L	Bell, engraved with the 'Amati Kraslice' Logo.	
2	P 175P L	Plate large (Bell side).	
3	S 566 L	Brace Socket for large Plate.	
4	P 384P L	Plate small (Slide Receiver side).	
5	S 565 L	Brace Socket for small Plate.	
6	P 362 L	Finger Support.	
7	PT 010/083 L	Brace Tube.	
8	S 170P L	Slide Receiver.	
9	S 173 L	Bell Lock Nut.	
10	DH 233 L	Gooseneck.	
11	H 351 L	Connecting Ring large, Tuning Slide - to - Bell.	
12	S 688 L	Brace Socket for large Ring.	
13	H 352 L	Connecting Ring small, Tuning Slide - to - Goosneck.	
14	S 689 L	Brace Socket for small Ring.	
15	PT 010/086 L	Brace Tube.	
16	THA 047 P5 L	Tuning Slide Outer Tubing, small.	
17	S 744P L	Tuning Slide Outer Tubing Ring, small.	
18	THA 047 P11 L	Tuning Slide Outer Tubing, large.	
19	S 743P L	Tuning Slide Outer Tubing Ring, large.	
20	LS 601SL K	Tuning Slide complete, lacquer.	
20a	THE 064 M11 L	Tuning Slide Inner Tubing, large.	
20b	THE 055 M5 L	Tuning Slide Inner Tubing, small.	
20c	THE 055 M10 L	Tuning Slide Insert.	
20d	H 349 L	Connecting Ring small, Tuning Slide Tubing - to - Crook.	
20e	S 686 L	Brace Socket for small Ring.	
20f	H 350 L	Connecting Ring large, Tuning Slide Tubing - to - Crook.	
20g	S 687 L	Brace Socket for large Ring.	
20h	PT 010/086 L	Brace Tube.	
20i	OH 14 L	Tuning Slide Crook.	
**	OZV 601SL K	Bell Assy. complete (List # 1-20), lacquer.	
<i>Hand Slide Section</i>			
21	MS 001 L	Hand Slide Outer Tubing (1 of 2pcs).	
22	H 347 L	Reinforcing Tube (1 of 2pcs).	
23	S 684 L	Brace Socket for Reinforcing Tube (1 of 2pcs).	
24	PT 010/067 L	Brace Tube.	
25	P 277M L	Slide Lock Nut Hinge.	
26	H 520 L	Outer Slide End Ferrule.	
27	H 348 L	Hand Slide Ferrule (1 of 2pcs).	
28	O 106 L	Hand Slide Crook.	
29	P 609P L	Hand Slide Crook Guard Plate.	
30	S 047P L	Hand Slide Crook Guard.	
**	T 017 L	Hand Slide Crook Guard complete with Plate (List # 29-30).	
31	CEPICKA SL	Hand Slide Crook Guard Bumper.	
32	S 255 L	Waterkey Nipple.	
33	P 289 L	Waterkey Saddle.	
34	P VKP	Waterkey Spring.	
35	KOREK VK 5*11*8	Waterkey Cork.	
36	S 069	Waterkey Screw, lacquer.	
37	VKM 045	Waterkey Lever, lacquer.	
**	VKM 045 K	Waterkey Assy. complete (List # 34-37), lacquer.	
**	SN 601SL O	Outer Hand Slide Assy. complete (List # 21-37), lacquer.	
38	MI 001 CR	Hand Slide Inner Tubing (1 of 2pcs), chrome-plated.	
39	MT 011.5 L	Mouthpipe.	
40	H 321 L	Slide Overpart (1 of 2pcs).	
41	S 685 L	Brace Socket for Slide Overpart (1 of 2 pcs).	
42	P 362 L	Finger Support (1 of 2pcs).	
43	PT 010/062 L	Brace Tube.	
44	T 164 L	Slide Overpart Insert.	
45	T 161/601SL L	Mouthpiece Receiver.	
46	S 171P L	End Shank.	
47	S 168 L	End Shank Thread.	
48	S 174 L	Slide Overpart Nut.	
49	S 175S L	Slide Lock Thread.	

50	S 175M L	Slide Lock Nut.
51	H 306 L	Slide Lock Nut Tab.
52	DK MI 001	Slide Bumper (1 of 2pcs).
**	SN 601SL I	Inner Hand Slide Assy. complete (List # 38-52), lacquer.
**	SN 601SL K	Hand Slide complete, lacquer (List # 21-52).

Important:

- 1/ All metal parts polished and unlacquered, unless otherwise specified. Please specify desired finish, when ordering.
- 2/ Please indicate the Instrument's Model Number, when ordering.