

Brass Instruments

Slide Trombones



Bb/F Tenor-Bass Slide Trombone ASL 363



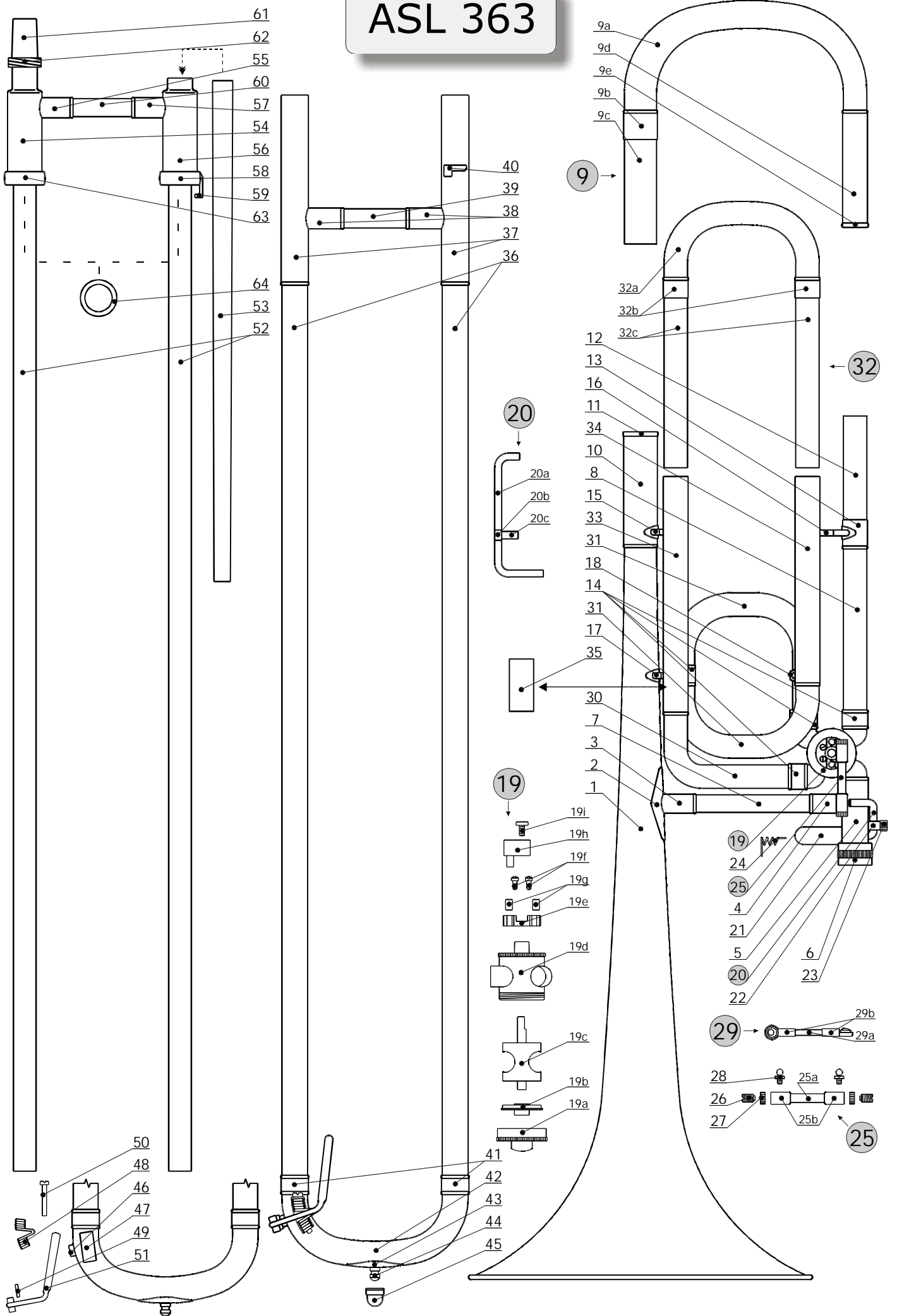
AMATI Bb/F Tenor-Bass Slide Trombone ASL 363

*bore 14.0mm, bell 235mm, open wrap, waterkey,
nickel-silver trimmings, lacquer,
silver-plated mouthpiece # 3G, plastic case # 6670.*

Related models:
ASL 363X - F attachment with Minibal action.

Last Update February 2004

ASL 363



Parts For AMATI Bb/F Tenor-Bass Slide Trombone ASL 363.

List #	Part #	Description	Note
<i>Bell Section</i>			
1	OZV 382SL L	Bell, engraved with the 'Amati Kraslice' Logo.	
2	P 003P L	Plate large.	
3	H 142P L	Brace Socket for large Plate.	
**	T 015 L	Brace Socket complete with Plate (List # 2-3).	
4	H 073P L	Brace Socket for Slide Receiver.	
5	S 398P L	Slide Receiver.	
6	S 377 L	Bell Lock Nut.	
**	T 076 L	Slide Receiver Assy. (List # 4-6).	
7	H 116 L	Brace Tube.	
8	H 071 L	Connecting Tube.	
9	LS 363SL K	Tuning Slide complete, lacquer.	
9a	OH 10 L	Tuning Slide Bow.	
9b	HTA 020 P13 L	Tuning Slide Ferrule, large.	
9c	THE 079 M13 L	Tuning Slide Inner Tubing, large.	
9d	THA 080 P7 L	Tuning Slide Outer Tubing, small.	
9e	S 274P L	Tuning Slide Outer Tubing Ring, small.	
10	THA 080 P13 L	Tuning Slide Outer Tubing, large.	
11	S 275P L	Tuning Slide Outer Tubing Ring, large.	
12	THE 079 M7 L	Tuning Slide Inner Tubing, small.	
13	HTA 020 P7 L	Tuning Slide Ferrule, small.	
14	H 072 L	Connecting Ferrule, small (1 of 4pcs).	
15	A UX 0120D MP L	Brace with Plates, F Attachment - to - Outer Tubing.	<i>Brace Length to be specified.</i>
16	A UX 0150D MP L	Brace with Plates, F Attachment - to - Connecting Ferrule.	<i>Brace Length to be specified.</i>
17	A UX 0040B MP L	Brace with Plates, F Attachment - to - Bell.	<i>Brace Length to be specified.</i>
18	A UX 0050B MP L	Brace with Plates.	<i>Brace Length to be specified.</i>
<i>F Attachment</i>			
19	KVF 361ASL L	F Rotary Valve Assy.	
19a	S 698/M7 L	Bottom Cap.	
19b	S 699/M7 L	Rotary Valve Support.	
19c	MC 007 L	Rotary Valve.	
19d	V 007 VIDL L	Rotary Valve Casing.	
19e	L 081H L	Stop Plate.	
19f	S 669 L	Stop Plate Retaining Screw (1 pf 2pcs).	
19g	SNURA 5	Bumper (length 1cm).	<i>SNURA PR.5 = Bumper (length 1meter).</i>
19h	T 100 L	Stop Arm.	
19i	S 434 L	Stop Arm Retaining Screw.	
20	T 024 N	Lever without Grip, nickel-plated.	
20a	S 064 L	Lever Linkage.	
20b	S 065 L	Lever Rod Tube Socket.	
20c	S 066 L	Lever Rod Tube.	
21	GP 03	Lever Grip.	
22	S 067 L	Lever Holder.	
23	S 070P	Lever Screw, lacquer.	
24	P 314	Lever Spring.	
25	T 062 N	Linkage complete (type Standard), nickel-plated.	
25a	S 115 L	Linkage Rod.	
25b	S 636 L	Linkage Bearing (1 of 2pcs).	
26	S 281	Linkage Screw (1 of 2pcs).	
27	S 280	Linkage Screw Nut (1 of 2pcs).	
28	S 632	Ball Pivot (1 of 2pcs).	
29	T 063 L	Linkage complete with both screws (type Minibal).	<i>Optional Feature.</i>
29a	S 118 L	Linkage Rod.	
29b	MINIBAL GK6-3 L	Minibal (1 of 2pcs).	
30	R 106 L	Crook.	
31	O 175 L	Bow (1 of 2pcs).	
32	LS 363SL FK	F Tuning Slide complete, lacquer.	
32a	O 189 L	F Tuning Slide Bow.	
32b	HTA 014 P7 L	F Tuning Slide Ferrule (1 of 2pcs).	
32c	THE 142 M7 L	F Tuning Slide Inner Tubing (1 of 2pcs).	
33	THA 163 P7 L	F Tuning Slide Outer Tubing, long.	
34	THA 143 P7 L	F Tuning Slide Outer Tubing, short.	
35	THE 021 M7 L	F Tuning Slide Outer Tubing Insert.	
**	OZV 363SL K	Bell Assy. complete (List # 1-35), lacquer.	

Hand Slide Section

36	MS 006 L	Hand Slide Outer Tubing (1 of 2pcs).
37	H 329 L	Reinforcing Tube (1 of 2pcs).
38	S 613 L	Brace Socket for Reinforcing Tube (1 of 2pcs).
**	T 311 L	Brace Socket complete with Reinforcing Tube (List # 37-38).
39	H 175 L	Brace Tube.
40	P 276 L	Slide Lock Nut Hinge.
41	H 332P L	Hand Slide Ferrule (1 of 2pcs).
42	O 199 L	Hand Slide Crook.
43	P 609P L	Hand Slide Crook Guard Plate.
44	S 047P L	Hand Slide Crook Guard.
**	T 017 L	Hand Slide Crook Guard complete with Plate (List # 43-44).
45	CEPICKA SL	Hand Slide Crook Guard Bumper.
46	S 499 L	Waterkey Nipple.
47	P 289 L	Waterkey Saddle.
48	P VKP	Waterkey Spring.
49	KOREK VK 5*11*8	Waterkey Cork.
50	S 069P	Waterkey Screw, lacquer.
51	VKV 034 N	Waterkey Lever, nickel-plated.
**	VKV 034 KN	Waterkey Assy. complete (List # 48-51).
**	SN 363SL O	Outer Hand Slide Assy. complete (List # 36-51), lacquer.
52	MI 006 CR	Hand Slide Inner Tubing (1 of 2pcs), chrome-plated.
53	DH 096 L	Mouthpipe.
54	S 113 L	Slide Overpart.
55	H 092 L	Brace Socket.
**	T 074 L	Slide Overpart complete with Brace Socket (List # 54-55).
56	S 114 L	Mouthpiece Receiver.
57	H 092 L	Brace Socket (1 of 2pcs).
58	S 083 L	Slide Lock Nut.
59	S 089 L	Slide Lock Nut Tab.
**	T 059	Slide Lock Nut complete, lacquer (List # 58-59).
**	T 075 L	Mouthpiece Receiver Assy. (List # 56-59).
60	H 104 L	Brace Tube.
61	S 376 L	End Shank.
62	S 378 L	End Shank Thread.
63	S 082 L	Slide Overpart Nut.
64	DK MI 006	Slide Bumper (1 of 2pcs).
**	SN 363SL I	Inner Hand Slide Assy. complete (List # 52-64), lacquer.
**	SN 363SL K	Hand Slide complete, lacquer (List # 36-64), lacquer.

Important:

1/ All metal parts polished and unlacquered, unless otherwise specified. Please specify desired finish, when ordering.

2/ Please indicate the Instrument's Model Number, when ordering.