

INSTRUMENTS PARTS CATALOGUE

Brass Instruments

Slide Trombones



Bb/F Tenor Slide Trombone ASL 342



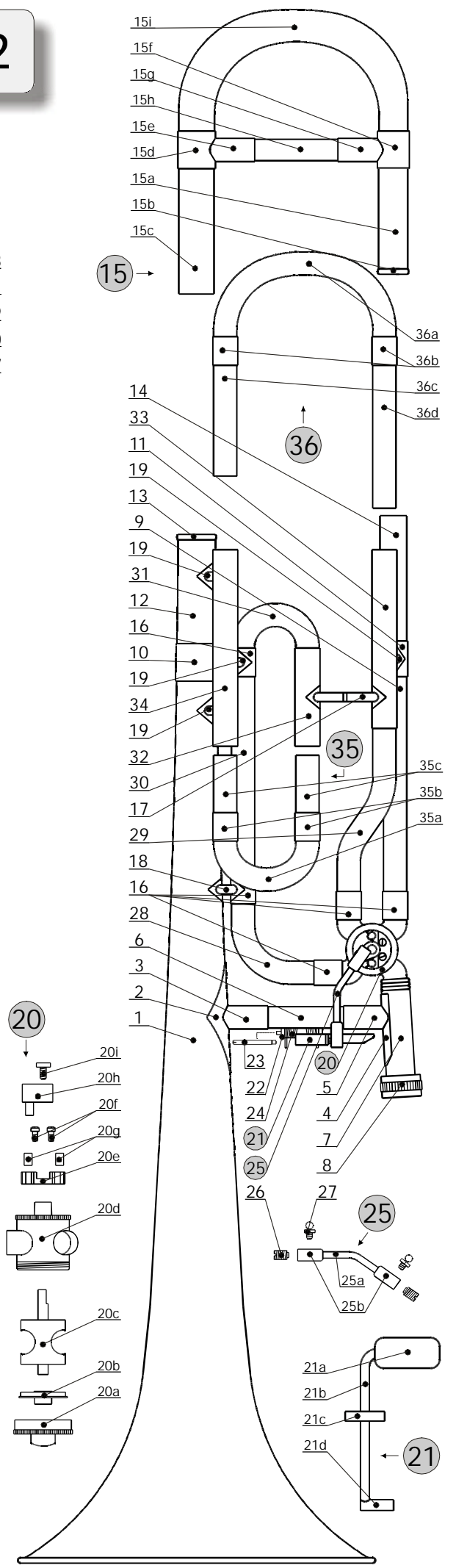
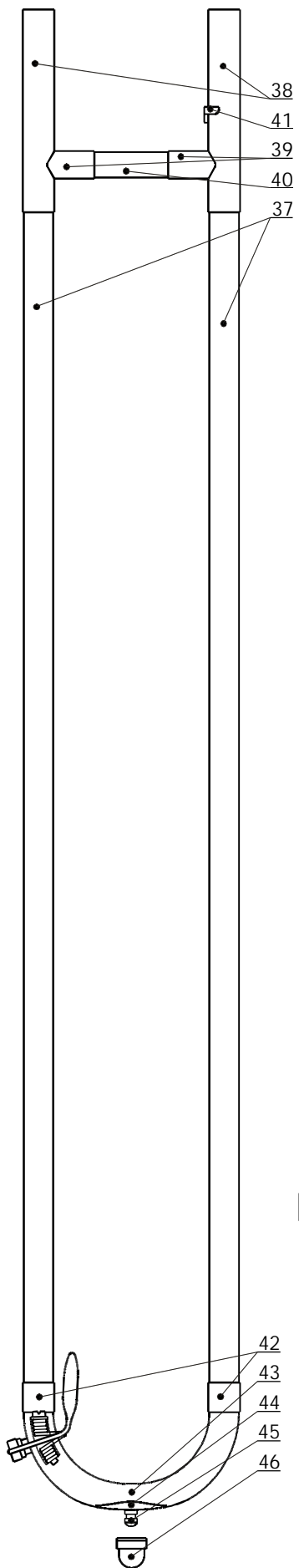
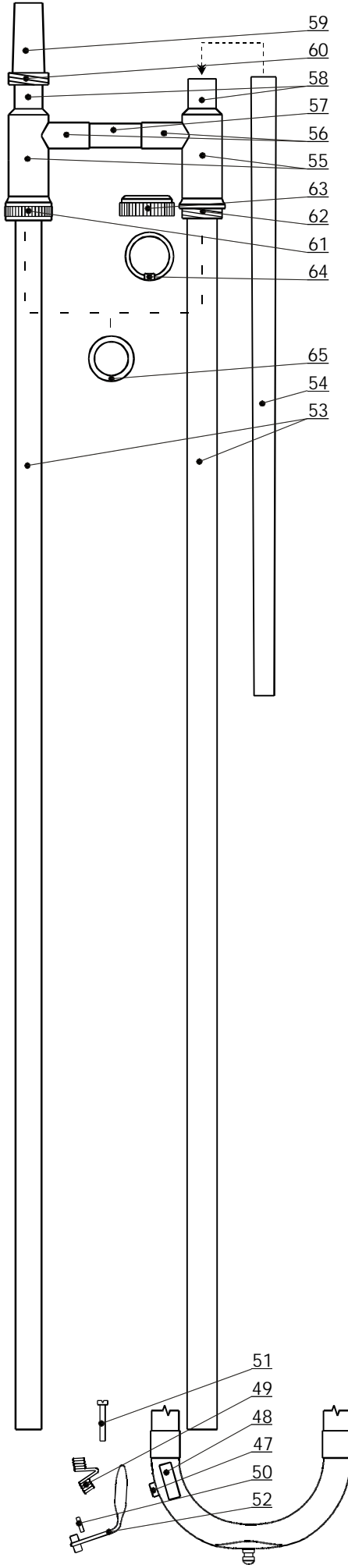
AMATI Bb/F Tenor Slide Trombone ASL 342

*bore 12.4mm, bell 200mm, open wrap, waterkey,
nickel-silver trimmings, lacquer,
silver-plated mouthpiece # 11C, plastic case # 6662.*

Last Update August2004

www.amati-denak.cz

ASL 342



Parts For AMATI Bb/F Tenor Slide Trombone ASL 342.

List #	Part #	Description	Note
<i>Bell Section</i>			
1	OZV 312SL L	Bell, engraved with the 'Amati Kraslice' Logo.	
2	P 175P L	Plate large (Bell side).	
3	H 127P L	Brace Socket for large Plate.	
**	T 367A L	Brace Socket complete with Plate (List # 2-3).	
4	P 384P L	Plate small (Slide Receiver side).	
5	H 128P L	Brace Socket for small Plate.	
**	T 400 L	Brace Socket complete with Plate (List # 4-5).	
6	STE 085 P2 L	Brace Tube.	
7	S 170P L	Slide Receiver.	
8	S 173 L	Bell Lock Nut.	
9	D 182 L	Connecting Tube.	
10	H 135 L	Connecting Ring large, Tuning Slide - to - Bell.	
11	H 138 L	Connecting Ring small.	
12	THA 070 P11 L	Tuning Slide Outer Tubing, large.	
13	S 198P L	Tuning Slide Outer Tubing Ring, large.	
14	THE 080 P6 L	Tuning Slide Inner Tubing, small.	
15	LS 342SL K	Tuning Slide complete, lacquer.	
15a	THA 070 P6 L	Tuning Slide Outer Tubing, small.	
15b	S 197P L	Tuning Slide Outer Tubing Ring, small.	
15c	THE 080 P11 L	Tuning Slide Inner Tubing, large.	
15d	H 136 L	Connecting Ring large, Tuning Slide Tubing - to - Crook.	
15e	H 123P L	Brace Socket for large Ring.	
**	T 365 L	Brace Socket complete with Ring (List # 15d-15e).	
15f	H 327 L	Connecting Ring small, Tuning Slide Tubing - to - Crook.	
15g	H 125P L	Brace Socket for small Ring.	
**	T 366A L	Brace Socket complete with Ring (List # 15f-15g).	
15h	H 122 L	Brace Tube.	
15i	OH 11 L	Tuning Slide Crook.	
16	SKA 016 P4 L	Connecting Ferrule, small (1 of 5pcs).	
17	A HX 0310D MP L	Brace with Plates.	<i>Brace Length to be specified.</i>
18	A HX 0030B MP L	Brace with Plates, F Attachment - to - Bell.	<i>Brace Length to be specified.</i>
19	A HX 0040B MP L	Brace with Plates (1 of 4pcs).	<i>Brace Length to be specified.</i>
<i>F Attachment</i>			
20	KVF 342ASL L	F Rotary Valve Assy.	
20a	S 698/M4 L	Bottom Cap.	
20b	S 699/M4 L	Rotary Valve Support.	
20c	MC 004 L	Rotary Valve.	
20d	V 004 VIDL L	Rotary Valve Casing.	
20e	L 081H L	Stop Plate.	
20f	S 669 L	Stop Plate Retaining Screw (1 pf 2pcs).	
20g	SNURA 5	Bumper (length 1cm).	<i>SNURA PR.5 = Bumper (length 1meter).</i>
20h	T 100 L	Stop Arm.	
20i	S 434 L	Stop Arm Retaining Screw.	
21	T 377 N	Lever complete, nickel-plated.	
21a	P 673 L	Lever Plate.	
21b	P 672 L	Lever Linkage	
21c	S 572 L	Lever Rod Tube.	
21d	S 672 L	Valve Linkage Receiver.	
22	V 011 L	Lever Holder.	
23	S 674 L	Lever Rod Screw.	
24	P 383/ASL	Lever Spring.	
25	T 376	Linkage complete, lacquer.	
25a	P 671 L	Linkage Rod.	
25b	S 633 L	Linkage Bearing (1 of 2pcs).	
26	S 631 L	Linkage Screw (1 of 2pcs).	
27	S 632	Ball Pivot (1 of 2pcs).	
28	R 042 L	Crook small.	
29	DH 187 L	Crook large.	
30	STE 133 M4 L	Connecting Tubing.	
31	O 101 L	Bow.	
32	THA 055 P4 L	F Tuning Slide Outer Tubing, short.	
33	THA 095 P4 L	F Tuning Slide Outer Tubing, long.	
34	THA 110 P4 L	F Tuning Slide Outer Tubing, longest.	
35	LS 342SL FK	F Tuning Slide small complete, lacquer.	

35a	O 103 L	F Tuning Slide small Bow.
35b	HTA 016 P4 L	F Tuning Slide small Ferrule (1 of 2pcs).
35c	THE 058 M4 L	F Tuning Slide small Inner Tubing (1 of 2pcs).
36	LS 342SL FAK	F Tuning Slide large complete, lacquer.
36a	O 111 L	F Tuning Slide large Bow.
36b	HTA 016 P4 L	F Tuning Slide large Ferrule (1 of 2pcs).
36c	THE 072 M4 L	F Tuning Slide large Inner Tubing, short.
36d	THE 090 M4 L	F Tuning Slide large Inner Tubing, long.
**	OZV 342SL K	Bell Assy. complete (List # 1-36), lacquer.

Hand Slide Section

37	MS 002 L	Hand Slide Outer Tubing (1 of 2pcs).
38	H 517P L	Reinforcing Tube (1 of 2pcs).
39	H 129P L	Brace Socket for Reinforcing Tube (1 of 2pcs).
**	T 371 L	Brace Socket complete with Reinforcing Tube (List # 38-39).
40	H 130 L	Brace Tube.
41	P 276 L	Slide Lock Nut Hinge.
42	H 515 L	Hand Slide Ferrule (1 of 2pcs).
43	O 127 L	Hand Slide Crook.
44	P 609P L	Hand Slide Crook Guard Plate.
45	S 047P L	Hand Slide Crook Guard.
**	T 017 L	Hand Slide Crook Guard complete with Plate (List # 44-45).
46	CEPICKA SL	Hand Slide Crook Guard Bumper.
47	S 255 L	Waterkey Nipple.
48	P 289 L	Waterkey Saddle.
49	P VKP	Waterkey Spring.
50	KOREK VK 5*9.5	Waterkey Cork.
51	S 069	Waterkey Screw, lacquer.
52	VKV 034 N	Waterkey Lever, nickel-plated.
**	VKV 034 KN	Waterkey Assy. complete (List # 49-52).
**	SN 312SL O	Outer Hand Slide Assy. complete (List # 37-52), lacquer.
53	MI 002 CR	Hand Slide Inner Tubing (1 of 2pcs), chrome-plated.
54	DH 499A L	Mouthpipe.
55	H 321 L	Slide Overpart (1 of 2pcs).
56	H 134P L	Brace Socket for Slide Overpart (1 of 2 pcs).
**	T 372 L	Brace Socket complete with Slide Overpart (List # 55-56).
57	H 131 L	Brace Tube.
58	T 161 L	Slide Overpart Insert (1 of 2 pcs).
59	S 171P L	End Shank.
60	S 167 L	End Shank Thread.
61	S 174 L	Slide Overpart Nut.
62	S 175S L	Slide Lock Thread.
63	S 175M L	Slide Lock Nut.
64	H 306 L	Slide Lock Nut Tab.
65	DK MI 001	Slide Bumper (1 of 2pcs).
**	SN 312SL I	Inner Hand Slide Assy. complete (List # 53-65), lacquer.
**	SN 312SL K	Hand Slide Assy., complete (List # 39-65), lacquer.

Important:

1/ All metal parts polished and unlacquered, unless otherwise specified. Please specify desired finish, when ordering.

2/ Please indicate the Instrument's Model Number, when ordering.