

INSTRUMENTS PARTS CATALOGUE

Brass Instruments

Slide Trombones



Bb/F Tenor Slide Trombone ASL 341



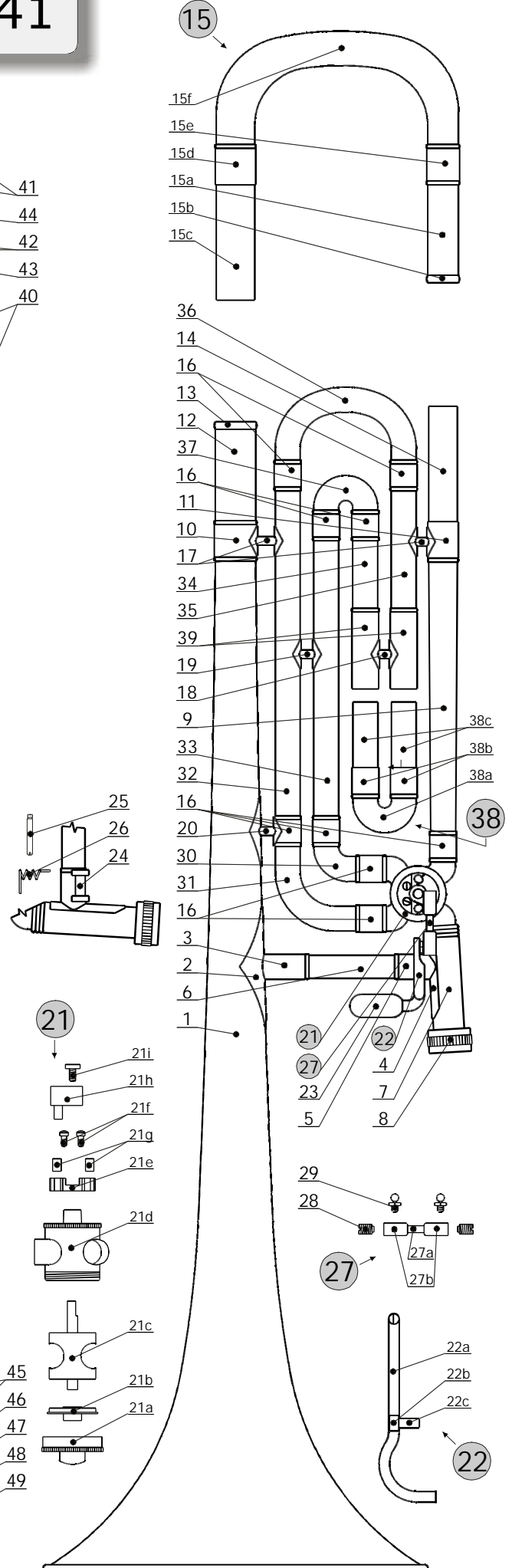
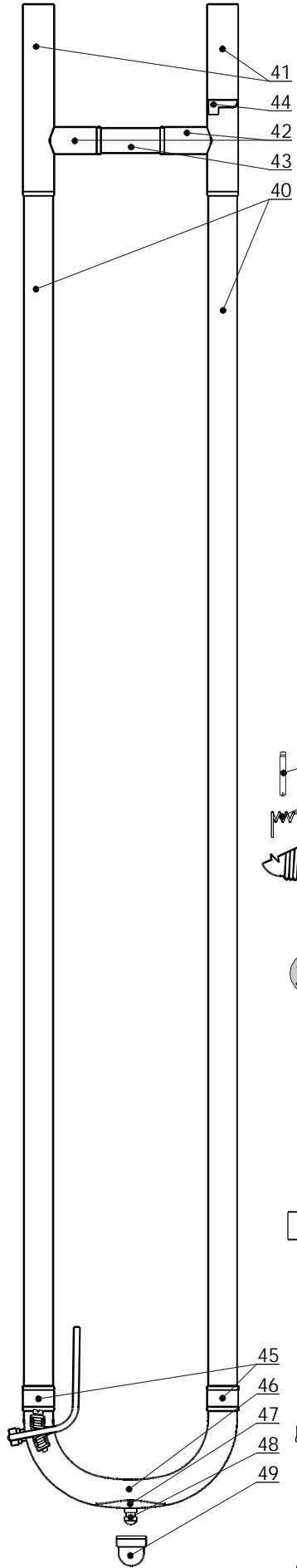
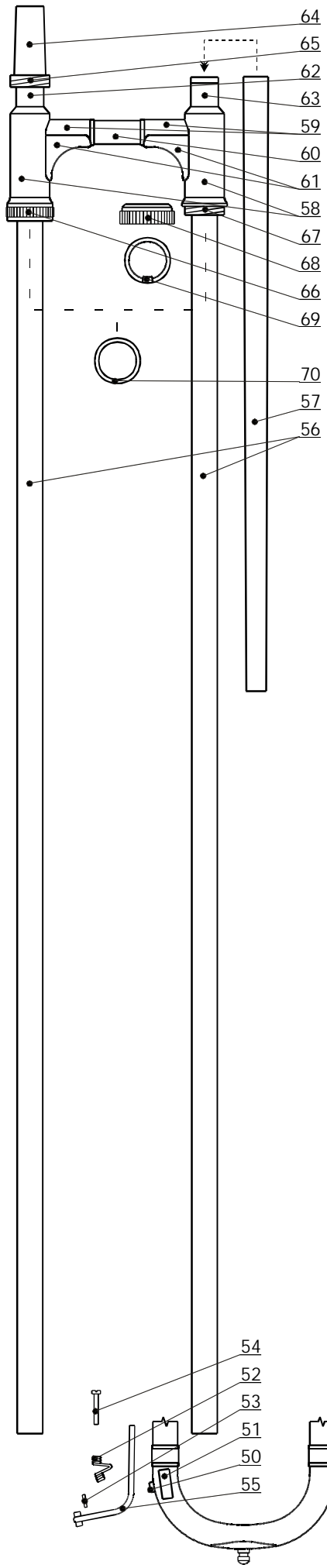
AMATI Bb/F Tenor Slide Trombone ASL 341

*bore 12.4mm, bell 200mm, flat wrap, waterkey,
nickel-silver trimmings, finger supports, lacquer,
silver-plated mouthpiece # 11C, plastic case # 6665.*

Last Update August2004

www.amati-denak.cz

ASL 341



Parts For AMATI Bb/F Tenor Slide Trombone ASL 341.

| List # | Part # | Description | Note |
|---------------------|-----------------|--|---|
| <i>Bell Section</i> | | | |
| 1 | OZV 312SL L | Bell, engraved with the 'Amati Kraslice' Logo. | |
| 2 | P 175P L | Plate large (Bell side). | |
| 3 | S 618 L | Brace Socket for large Plate. | |
| ** | T 323 L | Brace Socket complete with Plate (List # 2-3). | |
| 4 | P 384P L | Plate small (Slide Receiver side). | |
| 5 | S 619 L | Brace Socket for small Plate. | |
| ** | T 324 L | Brace Socket complete with Plate (List # 4-5). | |
| 6 | STE 085 P2 L | Brace Tube. | |
| 7 | S 170P L | Slide Receiver. | |
| 8 | S 173 L | Bell Lock Nut. | |
| 9 | D 182 L | Connecting Tube. | |
| 10 | H 314 L | Connecting Ring large, Tuning Slide - to - Bell. | |
| 11 | HTA 021 P4 L | Connecting Ring small. | |
| 12 | THA 062 P11 L | Tuning Slide Outer Tubing, large. | |
| 13 | S 198P L | Tuning Slide Outer Tubing Ring, large. | |
| 14 | THE 070 P6 L | Tuning Slide Inner Tubing, small. | |
| 15 | LS 341SL K | Tuning Slide complete, lacquer. | |
| 15a | THA 062 P6 L | Tuning Slide Outer Tubing, small. | |
| 15b | S 197P L | Tuning Slide Outer Tubing Ring, small. | |
| 15c | THE 070 P11 L | Tuning Slide Inner Tubing, large. | |
| 15d | HTA 021 P11 L | Connecting Ring large. | |
| 15e | H 313 L | Connecting Ring small. | |
| 15f | OH 11 L | Tuning Slide Crook. | |
| 16 | H 661 L | Connecting Ferrule, small (1 of 9pcs). | |
| 17 | A HX 0055B MP L | Brace with Plates (1 of 2pcs). | <i>Brace Length to be specified.</i> |
| 18 | A HX 0050B MP L | Brace with Plates. | <i>Brace Length to be specified.</i> |
| 19 | A HX 0080B MP L | Brace with Plates. | <i>Brace Length to be specified.</i> |
| 20 | A FX 0040B MP L | Brace with Plates. | <i>Brace Length to be specified.</i> |
| <i>F Attachment</i> | | | |
| 21 | KVF 341ASL L | F Rotary Valve Assy. | |
| 21a | S 698/M4 L | Bottom Cap. | |
| 21b | S 699/M4 L | Rotary Valve Support. | |
| 21c | MC 004 L | Rotary Valve. | |
| 21d | V 004 L | Rotary Valve Casing. | |
| 21e | L 081H L | Stop Plate. | |
| 21f | S 669 L | Stop Plate Retaining Screw (1 pf 2pcs). | |
| 21g | SNURA 5 | Bumper (length 1cm). | <i>SNURA PR.5 = Bumper (length 1meter).</i> |
| 21h | T 100 L | Stop Arm. | |
| 21i | S 434 L | Stop Arm Retaining Screw. | |
| 22 | T 080 N | Lever complete, nickel-plated. | |
| 22a | S 683 L | Lever Linkage | |
| 22b | S 679 L | Lever Rod Tube Socket. | |
| 22c | TR 5 L | Lever Rod Tube. | |
| 23 | GP 04 | Lever Grip. | |
| 24 | V 011 L | Lever Holder. | |
| 25 | S 673 L | Lever Rod Screw. | |
| 26 | P 383/ASL | Lever Spring. | |
| 27 | T 001P | Linkage complete, lacquer. | |
| 27a | S 096P L | Linkage Rod. | |
| 27b | S 636 L | Linkage Bearing (1 of 2pcs). | |
| 28 | S 631 | Linkage Screw (1 of 2pcs). | |
| 29 | S 632 | Ball Pivot (1 of 2pcs). | |
| 30 | R 441 L | Crook small. | |
| 31 | R 042 L | Crook large. | |
| 32 | STE 192 M4 L | Connecting Tube. | |
| 33 | STE 170 M4 L | Connecting Tube. | |
| 34 | STE 058 M4 L | Connecting Tube. | |
| 35 | STE 080 M4 L | Connecting Tube. | |
| 36 | O 105 L | Bow large. | |
| 37 | O 010 L | Bow small. | |
| 38 | LS 341SL FK | F Tuning Slide complete, lacquer. | |
| 38a | O 010 L | F Tuning Slide Bow. | |
| 38b | HTA 016 P4 L | F Tuning Slide Ferrule (1 of 2pcs). | |
| 38c | THE 046 P4 L | F Tuning Slide Inner Tubing (1 of 2pcs). | |

| | | |
|---------------------------|-----------------|---|
| 39 | THA 042 P4 L | F Tuning Slide Outer Tubing (1 of 2pcs). |
| ** | OZV 341SL K | Bell Assy. complete (List # 1-38), lacquer. |
| <i>Hand Slide Section</i> | | |
| 40 | MS 002 L | Hand Slide Outer Tubing (1 of 2pcs). |
| 41 | H 320 L | Reinforcing Tube (1 of 2pcs). |
| 42 | S 616 L | Brace Socket for Reinforcing Tube (1 of 2pcs). |
| ** | T 321 L | Brace Socket complete with Reinforcing Tube (List # 41-42). |
| 43 | STE 070 P2 L | Brace Tube. |
| 44 | P 276 L | Slide Lock Nut Hinge. |
| 45 | H 319 L | Hand Slide Ferrule (1 of 2pcs). |
| 46 | O 127 L | Hand Slide Crook. |
| 47 | P 609P L | Hand Slide Crook Guard Plate. |
| 48 | S 047P L | Hand Slide Crook Guard. |
| ** | T 017 L | Hand Slide Crook Guard complete with Plate (List # 47-48). |
| 49 | CEPICKA SL | Hand Slide Crook Guard Bumper. |
| 50 | S 255 L | Waterkey Nipple. |
| 51 | P 289 L | Waterkey Saddle. |
| 52 | P VKP | Waterkey Spring. |
| 53 | KOREK VK 5*11*8 | Waterkey Cork. |
| 54 | S 069 | Waterkey Screw, lacquer. |
| 55 | VKM 045 | Waterkey Lever, lacquer. |
| ** | VKM 045 K | Waterkey Assy. complete (List # 52-55), lacquer. |
| ** | SN 341SL O | Outer Hand Slide Assy. complete (List # 40-55), lacquer. |
| 56 | MI 002 CR | Hand Slide Inner Tubing (1 of 2pcs), chrome-plated. |
| 57 | DH 499A L | Mouthpipe. |
| 58 | H 321 L | Slide Overpart (1 of 2pcs). |
| 59 | S 617 L | Brace Socket for Slide Overpart (1 of 2 pcs). |
| ** | T 322 L | Brace Socket complete with Slide Overpart (List # 58-59). |
| 60 | STE 066 P2 L | Brace Tube. |
| 61 | P 362 L | Finger Support (1 of 2pcs). |
| 62 | T 161 L | Slide Overpart Insert. |
| 63 | T 161A L | Mouthpiece Receiver. |
| 64 | S 171P L | End Shank. |
| 65 | S 167 L | End Shank Thread. |
| 66 | S 174 L | Slide Overpart Nut. |
| 67 | S 175S L | Slide Lock Thread. |
| 68 | S 175M L | Slide Lock Nut. |
| 69 | H 306 L | Slide Lock Nut Tab. |
| 70 | DK MI 001 | Slide Bumper (1 of 2pcs). |
| ** | SN 341SL I | Inner Hand Slide Assy. complete (List # 56-70), lacquer. |
| ** | SN 341SL K | Hand Slide Assy., complete (List # 40-70), lacquer. |

Important:

1/ All metal parts polished and unlacquered, unless otherwise specified. Please specify desired finish, when ordering.

2/ Please indicate the Instrument's Model Number, when ordering.