

INSTRUMENTS PARTS CATALOGUE

Brass Instruments

Slide Trombones



Bb Slide Trombone ASL 331



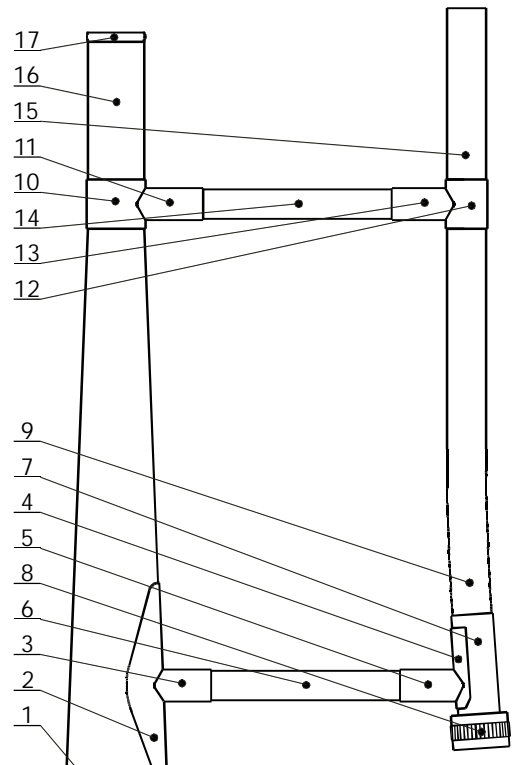
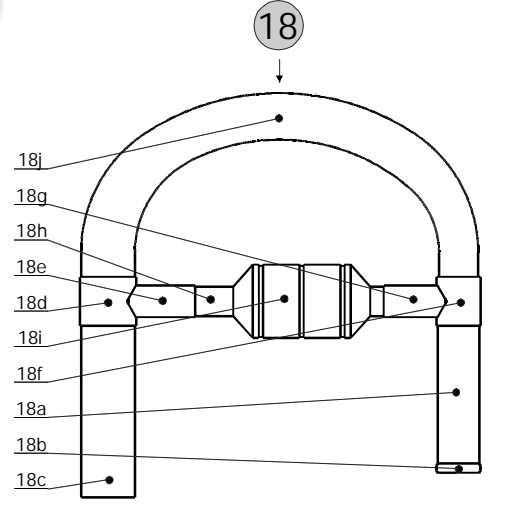
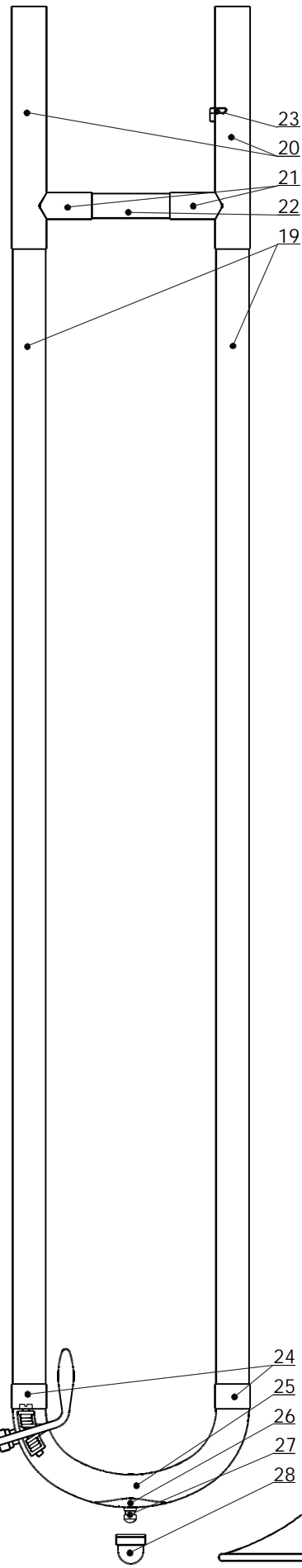
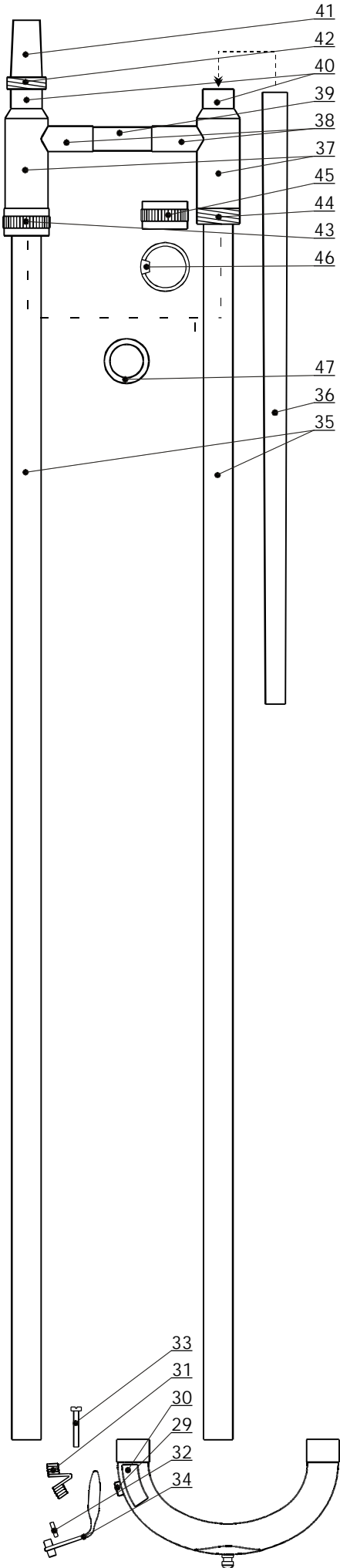
AMATI Bb Slide Trombone ASL 331

***bore 14.0mm (large bore), bell 235mm,
balance weight, waterkey, lacquer,
plastic case # 6671.***

Last Update August2004

www.amati-denak.cz

ASL 331



Parts For AMATI Bb Slide Trombone ASL 331.

List #	Part #	Description	Note
<i>Bell Section</i>			
1	OZV 382SL L	Bell, engraved with the 'Amati Kraslice' Logo.	
2	P 384P L	Plate large (Bell side).	
3	S 605 L	Brace Socket for large Plate.	
**	T 312 L	Brace Socket complete with Plate (List # 2-3).	
4	P 349 L	Plate small (Slide Receiver side).	
5	S 602 L	Brace Socket for small Plate.	
**	T 313 L	Brace Socket complete with Plate (List # 4-5).	
6	STE 122 P2 L	Brace Tube.	
7	S 375A L	Slide Receiver.	
8	S 377 L	Bell Lock Nut.	
9	SDE 178 M7 L	Gooseneck.	
10	H 305 L	Connecting Ring large, Tuning Slide - to - Bell.	
11	S 603 L	Brace Socket with large Ring, Tuning Slide - to - Bell.	
**	T 314 L	Brace Socket complete with Ring (List # 10-11).	
12	H 309 L	Connecting Ring small, Tuning Slide - to - Goosneck.	
13	S 604 L	Brace Socket for small Ring.	
**	T 317 L	Brace Socket complete with Ring (List # 12-13).	
14	STE 120 P2 L	Brace Tube.	
15	THE 080 M7 L	Tuning Slide Inner Tubing, small.	
16	THA 070 P13 L	Tuning Slide Outer Tubing, large.	
17	S 275P L	Tuning Slide Outer Tubing Ring, large.	
18	LS 331SL K	Tuning Slide complete, lacquer.	
18a	THA 080 P7 L	Tuning Slide Outer Tubing, small.	
18b	S 274P L	Tuning Slide Outer Tubing Ring, small.	
18c	THE 080 M13 L	Tuning Slide Inner Tubing, large.	
18d	H 308 L	Connecting Ring large, Tuning Slide Tubing - to - Crook.	
18e	S 603 L	Brace Socket for large Ring.	
**	T 315 L	Brace Socket complete with Ring (List # 18d-18e).	
18f	H 304 L	Connecting Ring small, Tuning Slide Tubing - to - Crook.	
18g	S 604 L	Brace Socket for small Ring.	
**	T 316 L	Brace Socket complete with Ring (List # 18f-18g).	
18h	STE 120 P2 L	Brace Tube.	
18i	S 486 L	Balance Weight.	
18j	OH 10 L	Tuning Slide Crook.	
**	OZV 331SL K	Bell Assy. complete (List # 1-18), lacquer.	
<i>Hand Slide Section</i>			
19	MS 006 L	Hand Slide Outer Tubing (1 of 2pcs).	
20	H 311 L	Reinforcing Tube (1 of 2pcs).	
21	S 604 L	Brace Socket for Reinforcing Tube (1 of 2pcs).	
**	T 318 L	Brace Socket complete with Reinforcing Tube (List # 20-21).	
22	STE 080 P2 L	Brace Tube.	
23	P 277M L	Slide Lock Nut Hinge.	
24	H 310 L	Hand Slide Ferrule (1 of 2pcs).	
25	O 199 L	Hand Slide Crook.	
26	P 609P L	Hand Slide Crook Guard Plate.	
27	S 047P L	Hand Slide Crook Guard.	
**	T 017 L	Hand Slide Crook Guard complete with Plate (List # 26-27).	
28	CEPICKA SL	Hand Slide Crook Guard Bumper.	
29	S 255 L	Waterkey Nipple.	
30	P 289 L	Waterkey Saddle.	
31	P VKP	Waterkey Spring.	
32	KOREK VK 5*9.5	Waterkey Cork.	
33	S 069	Waterkey Screw, lacquer.	
34	VKV 034 N	Waterkey Lever, nickel-plated.	
**	VKV 034 KN	Waterkey Assy. complete (List # 31-34).	
**	SN 331SL O	Outer Hand Slide Assy. complete (List # 19-34), lacquer.	
35	MI 006 CR	Hand Slide Inner Tubing (1 of 2pcs), chrome-plated.	
36	DH 096 L	Mouthpipe.	
37	H 312 L	Slide Overpart (1 of 2pcs).	
38	S 603 L	Brace Socket for Slide Overpart (1 of 2 pcs).	
**	T 319 L	Brace Socket complete with Slide Overpart (List # 37-38).	
39	STE 075 P2 L	Brace Tube.	
40	S 374 L	Slide Overpart Insert (1 of 2 pcs).	

41	S 376 L	End Shank.
42	S 378 L	End Shank Thread.
43	S 381 L	Slide Overpart Nut.
44	S 380 L	Slide Lock Thread.
45	S 379 L	Slide Lock Nut.
46	H 306 L	Slide Lock Nut Tab.
47	DK MI 006	Slide Bumper (1 of 2pcs).
**	SN 331SL I	Inner Hand Slide Assy. complete (List # 35-47), lacquer.
**	SN 331SL K	Hand Slide Assy., complete (List # 19-47), lacquer.

Important:

1/ All metal parts polished and unlacquered, unless otherwise specified. Please specify desired finish, when ordering.

2/ Please indicate the Instrument's Model Number, when ordering.