

INSTRUMENTS PARTS CATALOGUE

Piston Valve Instruments

Mellophones



F Mellophone AMP 203



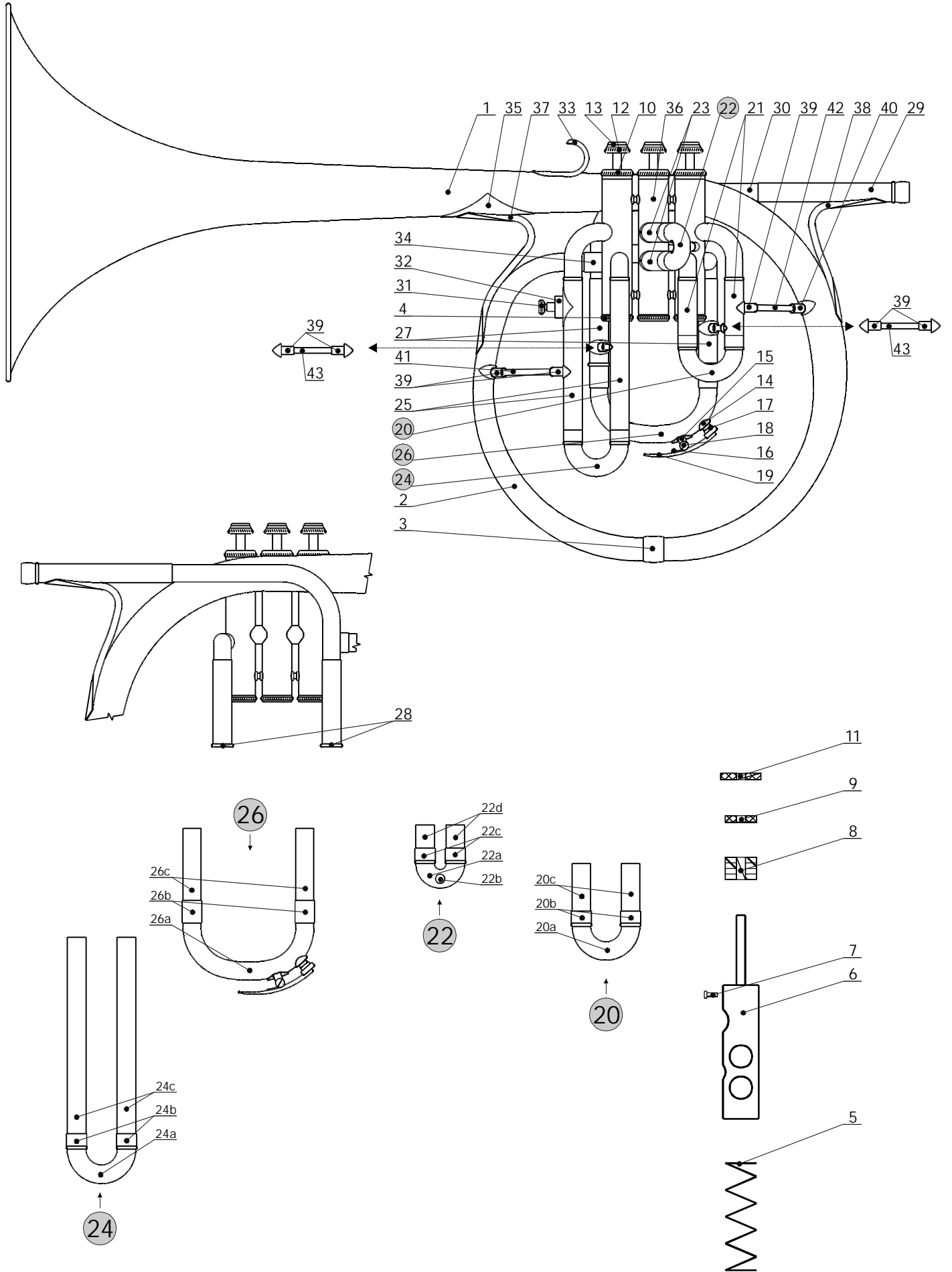
AMATI F Mellophone AMP 203

***3 valves, bore 11.7mm, bell 260mm,
"straight model", tuning slide waterkey,
lacquer, silver-plated mouthpiece # 5,
plastic case # 6647.***

Last Update April2004

www.amati-denak.cz

AMP 203



Parts For AMATI F Mellophone AMP 203.

List #	Part #	Description	Note
1	OZV 203MP L	Bell, engraved with the 'Amati Kraslice' Logo.	
2	DH 195 L	Branch I.	
3	H 196 L	Connecting Ferrule, Bell - to - Branch I.	
4	X 123	Bottom Cap, lacquer.	
5	P 380	Valve Spring.	
6	M 202MP 1K	1st Valve with Valve Guide.	
	M 202MP 2K	2nd Valve with Valve Guide.	
	M 202MP 3K	3rd Valve with Valve Guide.	
7	Z 1220	Valve Guide.	
8	KOREK M 13*30*6	Valve Stem Cork.	
9	G 004BE	Valve Stem Felt, Blue.	
10	X 129	Top Cap, lacquer.	
11	G 007BE	Top Cap Felt, Blue.	
12	X 121 K	Finger Button complete with Pearl, lacquer.	
13	PERLET 13	Pearl Inlay.	
14	S 498 L	Tuning Slide Waterkey Nipple.	
15	P 372 L	Tuning Slide Waterkey Saddle.	
16	P 312	Waterkey Spring.	
17	KOREK VK 4*8.5	Waterkey Cork.	
18	S 063	Waterkey Screw, lacquer.	
19	VKM 043	Tuning Slide Waterkey Lever, lacquer.	
**	VKM 043 K	Tuning Slide Waterkey Assy. (List # 16-19), lacquer.	
20	SN 202MP 1K	1st Slide complete, lacquer.	<i>Outer tubing to be ordered separately.</i>
20a	O 092 L	1st Slide Bow.	
20b	HTA 010 M3 L	1st Slide Ferrule (1 of 2pcs).	
20c	THE 035 M3 L	1st Slide Inner Tubing (1 of 2pcs).	
21	THA 040 M3 L	1st Slide Outer Tubing (1 of 2pcs).	
22	SN 202MP 2K	2nd Slide complete, lacquer.	<i>Outer tubing to be ordered separately.</i>
22a	O 007 L	2nd Slide Bow.	
22b	S 004 L	2nd Slide Bow Knob.	
22c	HTA 010 M3 L	2nd Slide Ferrule (1 of 2pcs).	
22d	THE 020 M3 L	2nd Slide Inner Tubing (1 of 2pcs).	
23	THA 022 M3 L	2nd Slide Outer Tubing (1 of 2pcs).	
24	SN 202MP 3K	3rd Slide complete, lacquer.	<i>Outer tubing to be ordered separately.</i>
24a	O 092 L	3rd Slide Bow.	
24b	HTA 010 M3 L	3rd Slide Ferrule (1 of 2pcs).	
24c	THE 100 M3 L	3rd Slide Inner Tubing (1 of 2pcs).	
25	THA 105 M3 L	3rd Slide Outer Tubing (1 of 2pcs).	
26	LS 202MP K	Tuning Slide complete, lacquer.	<i>Outer tubing to be ordered separately.</i>
26a	O 075 L	Tuning Slide Bow.	
26b	HTA 015 M2 L	Tuning Slide Ferrule (1 of 2pcs).	
26c	THE 057 M2 L	Tuning Slide Inner Tubing (1 of 2pcs).	
27	THA 060 M2 L	Tuning Slide Outer Tubing (1 of 2pcs).	
28	H 238 L	Tuning Slide Outer Tubing Ferrule (1 of 2pcs).	
29	U 202MP L	Mouthpiece Receiver, engraved with Model Number.	
30	DH 197 L	Mouthpipe.	
	ESO 202MP L	Mouthpipe complete with Mouthpiece Receiver.	
31	S 040	Cardholder Screw, lacquer.	
32	T 029 L	Cardholder Socket with Plate.	
33	F 002 L	Pinky Hook.	
34	H 195 L	Connecting Ring at the 3rd Valve Casing.	
35	P 175 L	Brace Plate.	
36	PS 202MP L	Valve Casing Assy. without Slides.	<i>Valves to be ordered separately.</i>
	SP 202MP L	Valve Casing Assy. complete with Slides.	<i>Valves to be ordered separately.</i>
37	A 203MP AL	Brace, Bell - to - Branch I.	
38	A 203MP BL	Brace, Bell - to - Mouthpiece Receiver.	
39	T 223 L	Brace Socket with Plate, large (1 of 7pcs).	
40	T 224 L	Brace Socket with Plate, small.	
41	TYC 058M PR4 L	Brace Rod, Branch I - to - 3rd Slide.	<i>Brace Rod length to be specified.</i>
42	TYC 049M PR4 L	Brace Rod, Bell - to - 1st Slide.	<i>Brace Rod length to be specified.</i>
43	TYC 037M PR4 L	Brace Rod, Tuning Slide - to - 1st Slide.	<i>Brace Rod length to be specified.</i>
		Brace Rod, Tuning Slide - to - 3rd Slide.	<i>Brace Rod length to be specified.</i>

Important:

- 1/ All metal parts polished and unlacquered, unless otherwise specified. Please specify desired finish, when ordering.*
- 2/ Please indicate the Instrument's Model Number, when ordering.*