

Piston Valve Instruments

Flugelhorns



Bb Flugelhorn AFH 601I

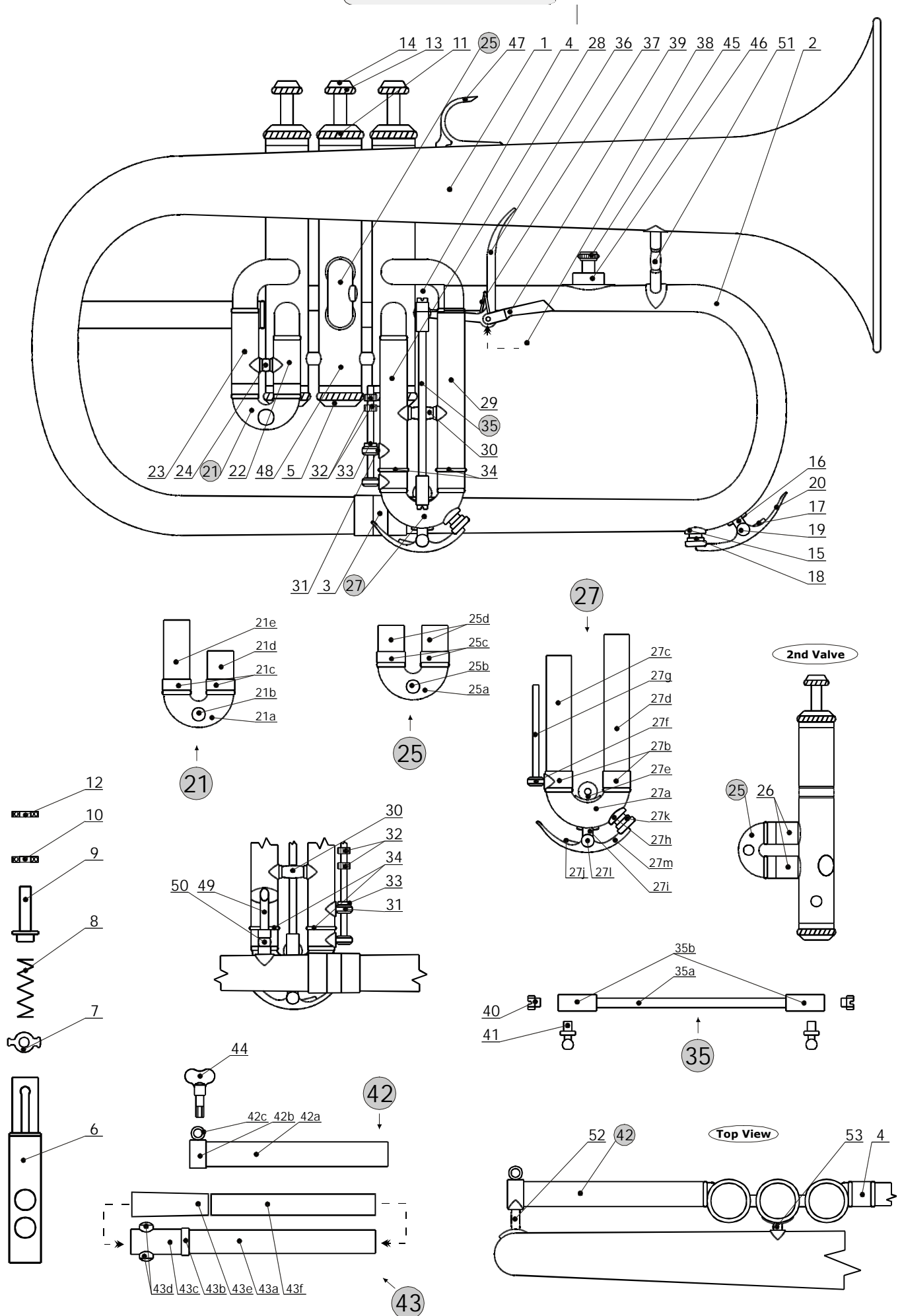


AMATI Bb Flugelhorn AFH 601I

***3 valves, bore 11.1mm, bell 160mm,
professional model, nickel-silver trimmings,
2 waterkeys, 3rd slide trigger with stopper,
lacquer,
silver-plated Flugelhorn-mouthpiece # 1 1/2F,
Deluxe wood case # 6701.***

Last Update March2005

AFH 601I



Parts For AMATI Bb Flugelhorn AFH 6011.

List #	Part #	Description	Note
1	OZV 601FH L	Bell, engraved with the 'Amati Kraslice' Logo.	
2	DH 151 L	Branch.	
3	S 711 L	Connecting Ferrule, Bell - to - Branch.	
4	SKA 014 P2 Z2 L	Connecting Ferrule, Branch - to - 3rd Valve Casing.	
5	X 123 N	Bottom Cap, nickel-plated.	
	M 601FH 1IK	1st Valve.	
6	M 601FH 2IK	2nd Valve.	
	M 601FH 3IK	3rd Valve.	
7	Z 0040	Valve Guide.	
8	P 310	Valve Spring.	
9	S 153 H	Valve Stem Plug.	
10	G 004BE	Valve Stem Plug Felt, Blue.	
11	X 122 N	Top Cap, nickel-plated.	
12	G 007BE	Top Cap Felt, Blue.	
13	X 121 KN	Finger Button complete with Pearl, nickel-plated.	
14	PERLET 13	Pearl Inlay.	
15	S 498 L	Branch Waterkey Nipple.	
16	P 372 L	Branch Waterkey Saddle.	
17	P 312	Waterkey Spring.	
18	KOREK VK 5*9.5	Waterkey Cork.	
19	S 063	Waterkey Screw, lacquer.	
20	VKV 029	Branch Waterkey Lever, lacquer.	
**	VKV 029 K	Branch Waterkey Assy. complete (List # 17-20), lacquer.	
21	SN 601FH 1K	1st Slide complete, lacquer.	<i>Outer Tubing to be ordered separately.</i>
21a	O 004 L	1st Slide Bow.	
21b	S 497 L	1st Slide Bow Knob.	
21c	HTA 007 P2 Z1 L	1st Slide Ferrule (1 of 2pcs).	
21d	THE 017 M2 L	1st Slide Inner Tubing, short.	
21e	THE 029 M2 L	1st Slide Inner Tubing, long.	
22	THA 023 P2 Z1 L	1st Slide Outer Tubing, short.	
23	THA 036 P2 Z1 L	1st Slide Outer Tubing, long.	
24	A GX 0060G MP L	1st Slide Outer Tubing Brace with Plates.	
25	SN 601FH 2K	2nd Slide complete, lacquer.	<i>Outer Tubing to be ordered separately.</i>
25a	O 003 L	2nd Slide Bow.	
25b	S 497 L	2nd Slide Bow Knob.	
25c	HTA 005 P2 Z1 L	2nd Slide Ferrule (1 of 2pcs).	
25d	THE 012 M2 L	2nd Slide Inner Tubing (1 of 2pcs).	
26	THA 014 P2 Z1 L	2nd Slide Outer Tubing (1 of 2pcs).	
27	SN 601FH 3K	3rd Slide complete (without Linkage), lacquer.	<i>Outer Tubing to be ordered separately.</i>
27a	O 061 L	3rd Slide Bow.	
27b	HTA 010 P2 Z1 L	3rd Slide Ferrule (1 of 2pcs).	
27c	THE 060 M2 L	3rd Slide Inner Tubing, short.	
27d	THE 070 M2 L	3rd Slide Inner Tubing, long.	
27e	T 602 L	3rd Slide Trigger Linkage Holder with Plate.	
27f	T 047 MP L	3rd Slide Trigger Guide Rod Screw Holder with Plate.	
27g	S 253 H	3rd Slide Trigger Guide Rod Screw.	
**	T 048A MP L	3rd Slide Trigger Guide Rod Screw Assy. (List # 27f-27g).	
27h	S 499 L	3rd Slide Waterkey Nipple.	
27i	P 373 L	3rd Slide Waterkey Saddle.	
27j	P 312	Waterkey Spring.	
27k	KOREK VK 5*9.5	Waterkey Cork.	
27l	S 063	Waterkey Screw, lacquer.	
27m	VKV 028	3rd Slide Waterkey Lever, lacquer.	
**	VKV 028 K	3rd Slide Waterkey Assy. complete (List # 27j-27m), lacquer.	
28	THA 065 P2 Z1 L	3rd Slide Outer Tubing, short.	
29	THA 078 P2 Z1 L	3rd Slide Outer Tubing, long.	
30	A GX 0140G MP L	3rd Slide Outer Tubing Brace with Plates.	
31	T 047 MP L	3rd Slide Trigger Stopper with Plate.	
32	S 254 H	3rd Slide Trigger Stopper Screw Nut (1 of 2pcs).	
33	DK 003	3rd Slide Trigger Stopper Bumper.	
34	DK 001	3rd Slide Bumper (1 of 2pcs).	
35	T 601	3rd Slide Trigger Linkage Assy., lacquer.	
35a	P 674 L	3rd Slide Trigger Linkage Rod.	
35b	S 636 L	3rd Slide Trigger Linkage Bearing (1 of 2pcs).	
36	V 026	3rd Slide Trigger Lever, lacquer.	

37	P 383/CFH	3rd Slide Trigger Lever Spring.	
38	S 482	3rd Slide Trigger Lever Rod Screw.	
39	V 027 L	3rd Slide Trigger Lever Holder.	
40	S 631 H	Linkage Screw (1 of 2pcs).	
41	S 632 H	Ball Pivot (1 of 2pcs).	
42	SO 601FH L	Mouthpipe Slide Assy.	
42a	THA 105 P2 Z1 L	Mouthpipe Slide Tube.	
42b	S 393 L	Mouthpipe Slide End Ring.	
42c	S 036 L	Mouthpipe Slide End Ring Barrel.	
43	U 601FH	Mouthpipe Assy., lacquer.	
43a	THE 126 M2 L	Mouthpipe Tube.	
43b	H 355 L	Mouthpipe Stop Ring.	
43c	H 354 L	Mouthpipe End Ring.	
43d	S 497 L	Mouthpipe End Ring Knob (1 of 2pcs).	
43e	U 133 H	Mouthpipe Insert, upper.	
43f	H 508 H	Mouthpipe Insert, lower.	
44	T 280	Tuning Slide Retaining Screw, lacquer.	
45	S 040	Cardholder Screw, lacquer.	
46	T 345 L	Cardholder Socket with Plate.	
47	V 022 L	Right Hand Pinky Hook.	
48	PS 601FH IL	Valve Casing Assy. without Slides.	<i>Valves to be ordered separately.</i>
	SP 601FH IL	Valve Casing Assy. complete with Slides.	<i>Valves to be ordered separately.</i>
49	T 226 L	Rod Brace with Plate.	
50	T 225FH L	Barrel with Plate.	
51	A CX 0320A MP L	Brace with Plates, Bell - to - Branch.	<i>Brace Length to be specified.</i>
52	A LB 0040B MP L	Brace with Plates, Bell - to - Mouthpipe Slide End Ring.	<i>Brace Length to be specified.</i>
53	A AB 0040B MP L	Brace with Plates, Bell - to - 2nd Valve Casing.	<i>Brace Length to be specified.</i>

Important:

1/ All metal parts polished and unlacquered, unless otherwise specified. Please specify desired finish, when ordering.

2/ Please indicate the Instrument's Model Number, when ordering.