

Piston Valve Instruments

Flugelhorns



Bb Flugelhorn AFH 601

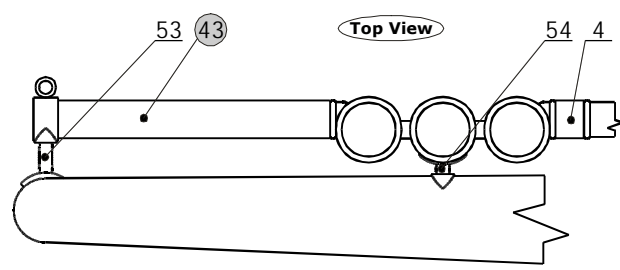
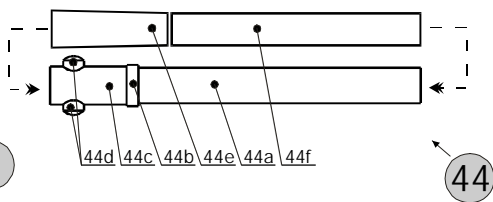
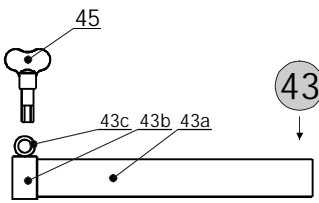
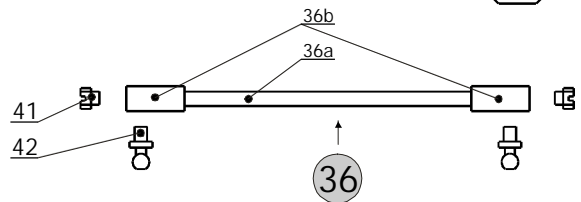
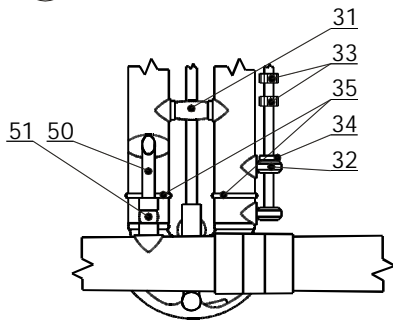
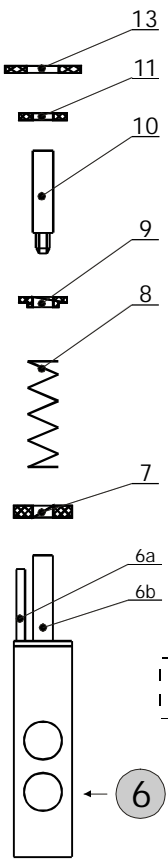
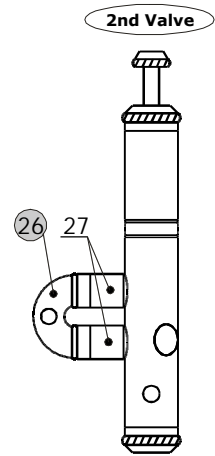
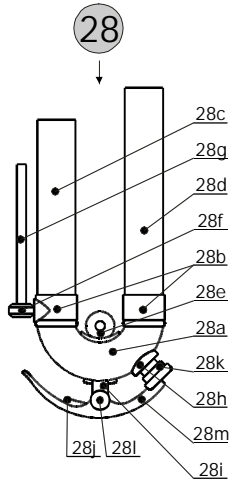
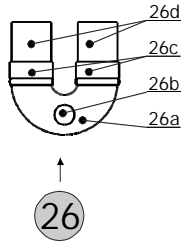
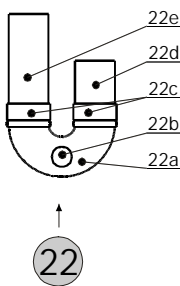
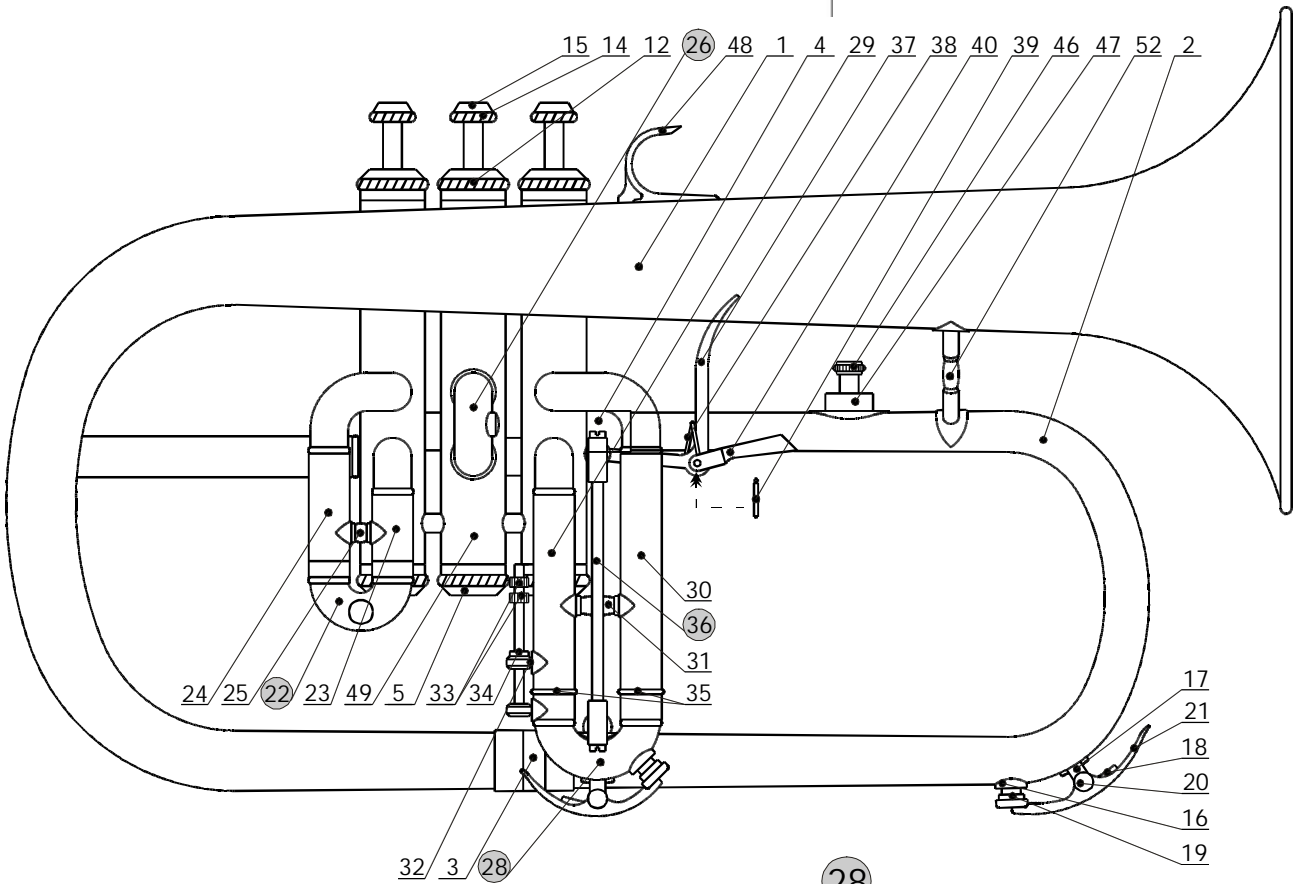


AMATI Bb Flugelhorn AFH 601

***3 valves, bore 11.1mm, bell 160mm,
professional model, nickel-silver trimmings,
2 waterkeys, 3rd slide trigger with stopper,
lacquer,
silver-plated Flugelhorn-mouthpiece # 1 1/2F,
Deluxe wood case # 6701.***

Last Update March2005

AFH 601



Parts For AMATI Bb Flugelhorn AFH 601.

List #	Part #	Description	Note
1	OZV 601FH L	Bell, engraved with the 'Amati Kraslice' Logo.	
2	DH 151 L	Branch.	
3	S 711 L	Connecting Ferrule, Bell - to - Branch.	
4	SKA 014 P2 Z2 L	Connecting Ferrule, Branch - to - 3rd Valve Casing.	
5	X 123 N	Bottom Cap, nickel-plated.	
	M 601FH 1K	1st Valve with Valve Stem & Guide Rod.	
6	M 601FH 2K	2nd Valve with Valve Stem & Guide Rod.	
	M 601FH 3K	3rd Valve with Valve Stem & Guide Rod.	
6a	S 677 N	Valve Guide Rod, nickel-plated.	
6b	S 611 L	Valve Stem.	
7	Z 1222	Valve Guide.	
8	P 310	Valve Spring.	
9	Z 1205	Valve Spring Support.	
10	S 680 N	Valve Stem Plug, nickel-plated.	
11	G 004BE	Valve Stem Felt, Blue.	
12	X 129 N	Top Cap, nickel-plated.	
13	G 007BE	Top Cap Felt, Blue.	
14	X 121 KN	Finger Button complete with Pearl, nickel-plated.	
15	PERLET 13	Pearl Inlay.	
16	S 498 L	Branch Waterkey Nipple.	
17	P 372 L	Branch Waterkey Saddle.	
18	P 312	Waterkey Spring.	
19	KOREK VK 5*9.5	Waterkey Cork.	
20	S 063	Waterkey Screw, lacquer.	
21	VKV 029	Branch Waterkey Lever, lacquer.	
**	VKV 029 K	Branch Waterkey Assy. complete (List # 18-21), lacquer.	
22	SN 601FH 1K	1st Slide complete, lacquer.	<i>Outer Tubing to be ordered separately.</i>
22a	O 004 L	1st Slide Bow.	
22b	S 497 L	1st Slide Bow Knob.	
22c	HTA 007 P2 Z1 L	1st Slide Ferrule (1 of 2pcs).	
22d	THE 017 M2 L	1st Slide Inner Tubing, short.	
22e	THE 029 M2 L	1st Slide Inner Tubing, long.	
23	THA 023 P2 Z1 L	1st Slide Outer Tubing, short.	
24	THA 036 P2 Z1 L	1st Slide Outer Tubing, long.	
25	A GX 0060G MP L	1st Slide Outer Tubing Brace with Plates.	
26	SN 601FH 2K	2nd Slide complete, lacquer.	<i>Outer Tubing to be ordered separately.</i>
26a	O 003 L	2nd Slide Bow.	
26b	S 497 L	2nd Slide Bow Knob.	
26c	HTA 005 P2 Z1 L	2nd Slide Ferrule (1 of 2pcs).	
26d	THE 012 M2 L	2nd Slide Inner Tubing (1 of 2pcs).	
27	THA 014 P2 Z1 L	2nd Slide Outer Tubing (1 of 2pcs).	
28	SN 601FH 3K	3rd Slide complete (without Linkage), lacquer.	<i>Outer Tubing to be ordered separately.</i>
28a	O 061 L	3rd Slide Bow.	
28b	HTA 010 P2 Z1 L	3rd Slide Ferrule (1 of 2pcs).	
28c	THE 060 M2 L	3rd Slide Inner Tubing, short.	
28d	THE 070 M2 L	3rd Slide Inner Tubing, long.	
28e	T 602 L	3rd Slide Trigger Linkage Holder with Plate.	
28f	T 047 MP L	3rd Slide Trigger Guide Rod Screw Holder with Plate.	
28g	S 253 H	3rd Slide Trigger Guide Rod Screw.	
**	T 048A MP L	3rd Slide Trigger Guide Rod Screw Assy. (List # 28f-28g).	
28h	S 499 L	3rd Slide Waterkey Nipple.	
28i	P 373 L	3rd Slide Waterkey Saddle.	
28j	P 312	Waterkey Spring.	
28k	KOREK VK 5*9.5	Waterkey Cork.	
28l	S 063	Waterkey Screw, lacquer.	
28m	VKV 028	3rd Slide Waterkey Lever, lacquer.	
**	VKV 028 K	3rd Slide Waterkey Assy. complete (List # 28j-28m), lacquer.	
29	THA 065 P2 Z1 L	3rd Slide Outer Tubing, short.	
30	THA 078 P2 Z1 L	3rd Slide Outer Tubing, long.	
31	A GX 0140G MP L	3rd Slide Outer Tubing Brace with Plates.	
32	T 047 MP L	3rd Slide Trigger Stopper with Plate.	
33	S 254 H	3rd Slide Trigger Stopper Screw Nut (1 of 2pcs).	
34	DK 003	3rd Slide Trigger Stopper Bumper.	
35	DK 001	3rd Slide Bumper (1 of 2pcs).	

36	T 601	3rd Slide Trigger Linkage Assy., lacquer.	
36a	P 674 L	3rd Slide Trigger Linkage Rod.	
36b	S 636 L	3rd Slide Trigger Linkage Bearing (1 of 2pcs).	
37	V 026	3rd Slide Trigger Lever, lacquer.	
38	P 383/CFH	3rd Slide Trigger Lever Spring.	
39	S 482	3rd Slide Trigger Lever Rod Screw.	
40	V 027 L	3rd Slide Trigger Lever Holder.	
41	S 631 H	Linkage Screw (1 of 2pcs).	
42	S 632 H	Ball Pivot (1 of 2pcs).	
43	SO 601FH L	Mouthpipe Slide Assy.	
43a	THA 105 P2 Z1 L	Mouthpipe Slide Tube.	
43b	S 393 L	Mouthpipe Slide End Ring.	
43c	S 036 L	Mouthpipe Slide End Ring Barrel.	
44	U 601FH	Mouthpipe Assy., lacquer.	
44a	THE 126 M2 L	Mouthpipe Tube.	
44b	H 355 L	Mouthpipe Stop Ring.	
44c	H 354 L	Mouthpipe End Ring.	
44d	S 497 L	Mouthpipe End Ring Knob (1 of 2pcs).	
44e	U 133 H	Mouthpipe Insert, upper.	
44f	H 508 H	Mouthpipe Insert, lower.	
45	T 280	Tuning Slide Retaining Screw, lacquer.	
46	S 040	Cardholder Screw, lacquer.	
47	T 345 L	Cardholder Socket with Plate.	
48	V 022 L	Right Hand Pinky Hook.	
49	PS 601FH L	Valve Casing Assy. without Slides.	<i>Valves to be ordered separately.</i>
	SP 601FH L	Valve Casing Assy. complete with Slides.	<i>Valves to be ordered separately.</i>
50	T 226 L	Rod Brace with Plate.	
51	T 225FH L	Barrel with Plate.	
52	A CX 0320A MP L	Brace with Plates, Bell - to - Branch.	<i>Brace Length to be specified.</i>
53	A LB 0040B MP L	Brace with Plates, Bell - to - Mouthpipe Slide End Ring.	<i>Brace Length to be specified.</i>
54	A AB 0040B MP L	Brace with Plates, Bell - to - 2nd Valve Casing.	<i>Brace Length to be specified.</i>

Important:

1/ All metal parts polished and unlacquered, unless otherwise specified. Please specify desired finish, when ordering.

2/ Please indicate the Instrument's Model Number, when ordering.