

Piston Valve Instruments

Flugelhorns



Bb Flugelhorn AFH 204

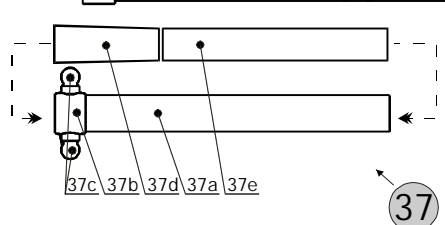
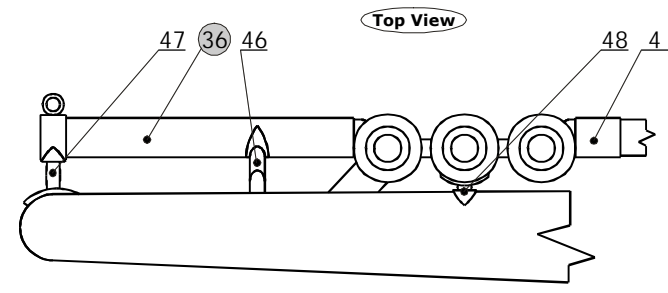
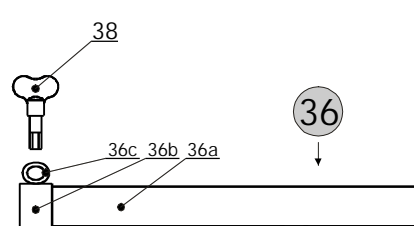
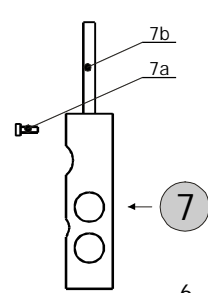
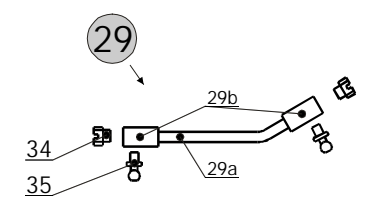
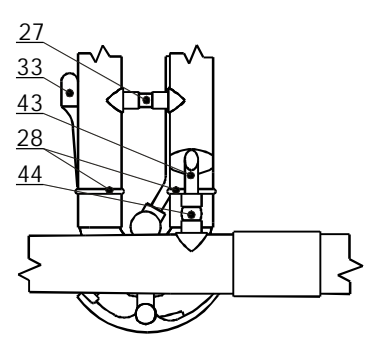
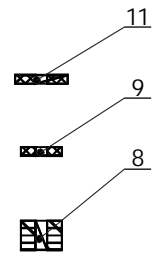
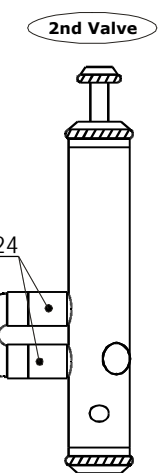
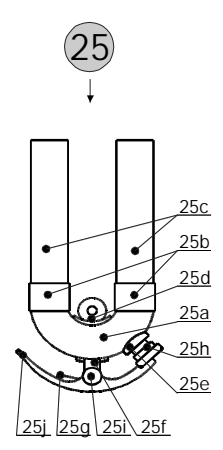
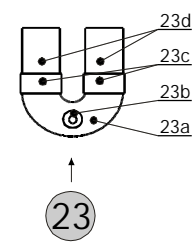
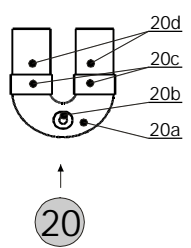
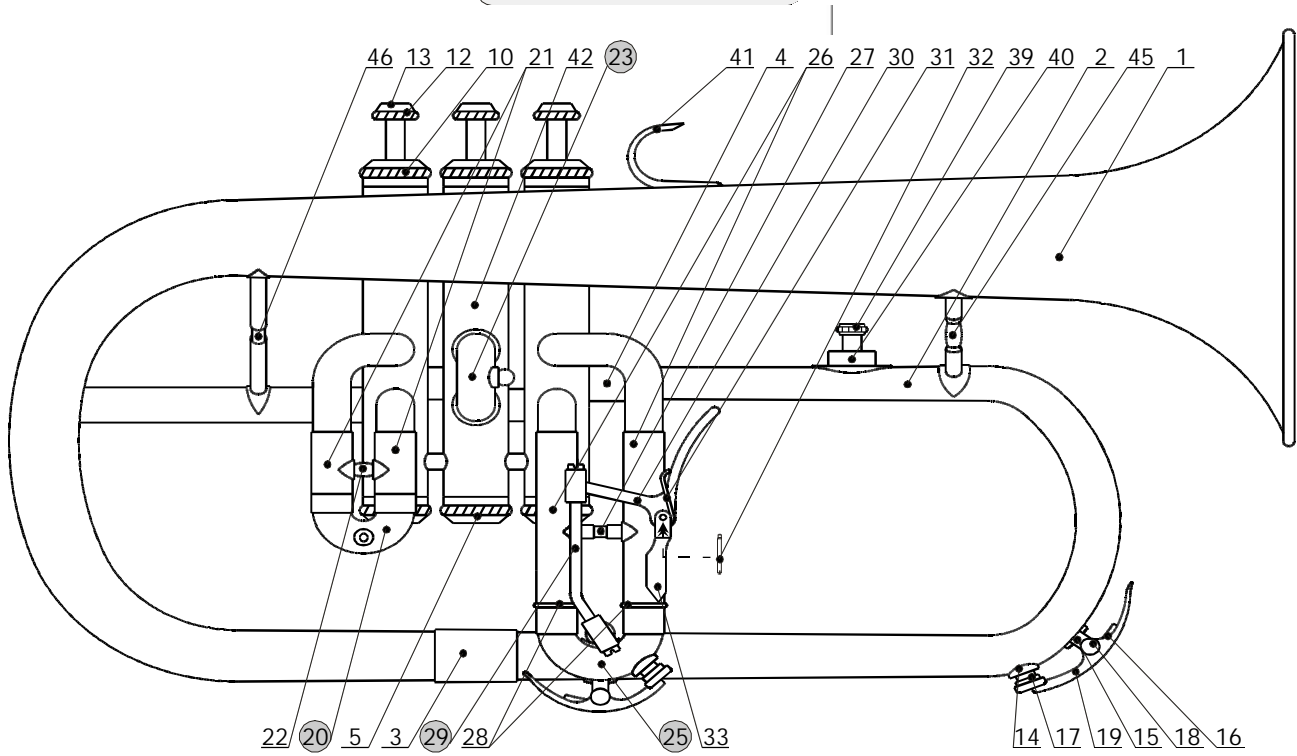


AMATI Bb Flugelhorn AFH 204

3 valves, bore 11.1mm, bell 145mm, 3rd slide trigger, 2 waterkeys, lacquer, silver-plated Flugelhorn-mouthpiece # 1 1/2F, plastic case # 6718.

Last Update February2005

AFH 204



Parts For AMATI Bb Flugelhorn AFH 204.

List #	Part #	Description	Note
1	OZV 201FH L	Bell, engraved with the 'Amati Kraslice' Logo.	
2	DH 062 L	Branch.	
3	S 158 L	Connecting Ferrule, Bell - to - Branch.	
4	H 248 L	Connecting Ferrule, Branch - to - 3rd Valve Casing.	
5	X 123	Bottom Cap, lacquer.	
6	P 327	Valve Spring.	
7	M 201FH 1K	1st Valve with Valve Stem&Guide.	
	M 201FH 2K	2nd Valve with Valve Stem&Guide.	
	M 201FH 3K	3rd Valve with Valve Stem&Guide.	
7a	Z 1220	Valve Guide.	
7b	S 548 L	Valve Stem.	
8	KOREK M 13*30*6	Valve Stem Cork.	
9	G 004BE	Valve Stem Felt, Blue.	
10	X 129	Top Cap, lacquer.	
11	G 007BR	Top Cap Felt, Brown.	
12	X 121 K	Finger Button complete with Pearl, lacquer.	
13	PERLET 13	Pearl Inlay.	
14	S 498 L	Branch Waterkey Nipple.	
15	P 372 L	Branch Waterkey Saddle.	
16	P 312	Waterkey Spring.	
17	KOREK VK 5*9.5	Waterkey Cork.	
18	S 063	Waterkey Screw, lacquer.	
19	VKV 029	Branch Waterkey Lever, lacquer.	
**	VKV 029 K	Branch Waterkey Assy. complete (List # 16-19), lacquer.	
20	SN 201FH 1K	1st Slide complete, lacquer.	<i>Outer Tubing to be ordered separately.</i>
20a	O 004 L	1st Slide Bow.	
20b	S 004 L	1st Slide Bow Knob.	
20c	HTA 007 M2 L	1st Slide Ferrule (1 of 2pcs).	
20d	THE 019 M2 L	1st Slide Inner Tubing (1 of 2pcs).	
21	THA 024 M2 L	1st Slide Outer Tubing (1 of 2pcs).	
22	A GX 0060B MM L	1st Slide Outer Tubing Brace with Plates.	<i>Brace Length to be specified.</i>
23	SN 201FH 2K	2nd Slide complete, lacquer.	<i>Outer Tubing to be ordered separately.</i>
23a	O 003 L	2nd Slide Bow.	
23b	S 004 L	2nd Slide Bow Knob.	
23c	HTA 007 M2 L	2nd Slide Ferrule (1 of 2pcs).	
23d	THE 010.5 M2 L	2nd Slide Inner Tubing (1 of 2pcs).	
24	THA 013 M2 L	2nd Slide Outer Tubing (1 of 2pcs).	
25	SN 204FH 3K	3rd Slide complete (without Linkage), lacquer.	<i>Outer Tubing to be ordered separately.</i>
25a	O 061 L	3rd Slide Bow.	
25b	HTA 010 M2 L	3rd Slide Ferrule (1 of 2pcs).	
25c	THE 056 M2 L	3rd Slide Inner Tubing (1 of 2pcs).	
25d	T 368 L	3rd Slide Trigger Linkage Holder with Plate.	
25e	S 499 L	3rd Slide Waterkey Nipple.	
25f	P 373 L	3rd Slide Waterkey Saddle.	
25g	P 312	Waterkey Spring.	
25h	KOREK VK 5*9.5	Waterkey Cork.	
25i	S 063	Waterkey Screw, lacquer.	
25j	VKV 028	3rd Slide Waterkey Lever, lacquer.	
**	VKV 028 K	3rd Slide Waterkey Assy. complete (List # 25g-25j), lacquer.	
26	THA 060 M2 L	3rd Slide Outer Tubing (1 of 2pcs).	
27	A GX 0140D MM L	3rd Slide Outer Tubing Brace with Plates.	<i>Brace Length to be specified.</i>
28	DK 001	3rd Slide Bumper (1 of 2pcs).	
29	T 395	3rd Slide Trigger Linkage Assy., lacquer.	
29a	P 665 L	3rd Slide Trigger Linkage Rod.	
29b	S 636 L	3rd Slide Trigger Linkage Bearing (1 of 2pcs).	
30	V 024	3rd Slide Trigger Lever, lacquer.	
31	P 383/CFH	3rd Slide Trigger Lever Spring.	
32	S 482	3rd Slide Trigger Lever Rod Screw.	
33	V 023 L	3rd Slide Trigger Lever Holder.	
34	S 631 H	Linkage Screw (1 of 2pcs).	
35	S 632 H	Ball Pivot (1 of 2pcs).	
36	SO 201FH L	Mouthpipe Slide Assy.	
36a	THA 146 M2 L	Mouthpipe Slide Tube.	
36b	S 393 L	Mouthpipe Slide End Ring.	
36c	S 036 L	Mouthpipe Slide End Ring Barrel.	

37	U 201FH	Mouthpipe Assy., lacquer.	
37a	THE 144 M2 L	Mouthpipe Tube.	
37b	S 392 L	Mouthpipe End Ring.	
37c	S 004R L	Mouthpipe End Ring Knob (1 of 2pcs).	
37d	U 133 H	Mouthpipe Insert, upper.	
37e	H 508 H	Mouthpipe Insert, lower.	
38	T 280	Tuning Slide Retaining Screw, lacquer.	
39	S 040	Cardholder Screw, lacquer.	
40	T 028 L	Cardholder Socket with Plate.	
41	F 002 L	Right Hand Pinky Hook.	
42	PS 201FH L	Valve Casing Assy. without Slides.	<i>Valves to be ordered separately.</i>
	SP 204FH L	Valve Casing Assy. complete with Slides.	<i>Valves to be ordered separately.</i>
43	T 227 L	Rod Brace with Plate.	
44	T 223 L	Barrel with Plate.	
45	A MX 0230D MM L	Brace with Plates, Bell - to - Branch.	<i>Brace Length to be specified.</i>
46	A LX 0340D MM L	Brace with Plates, Bell - to - Mouthpipe Slide Assy.	<i>Brace Length to be specified.</i>
47	A LB 0050B MM L	Brace with Plates, Bell - to - Mouthpipe Slide End Ring.	<i>Brace Length to be specified.</i>
48	A AB 0020B MM L	Brace with Plates, Bell - to - 2nd Valve Casing.	<i>Brace Length to be specified.</i>

Important:

1/ All metal parts polished and unlacquered, unless otherwise specified. Please specify desired finish, when ordering.

2/ Please indicate the Instrument's Model Number, when ordering.