

INSTRUMENTS PARTS CATALOGUE

Woodwind Instruments

Clarinets



Bb Clarinet ACL 315



AMATI Bb Clarinet ACL 315

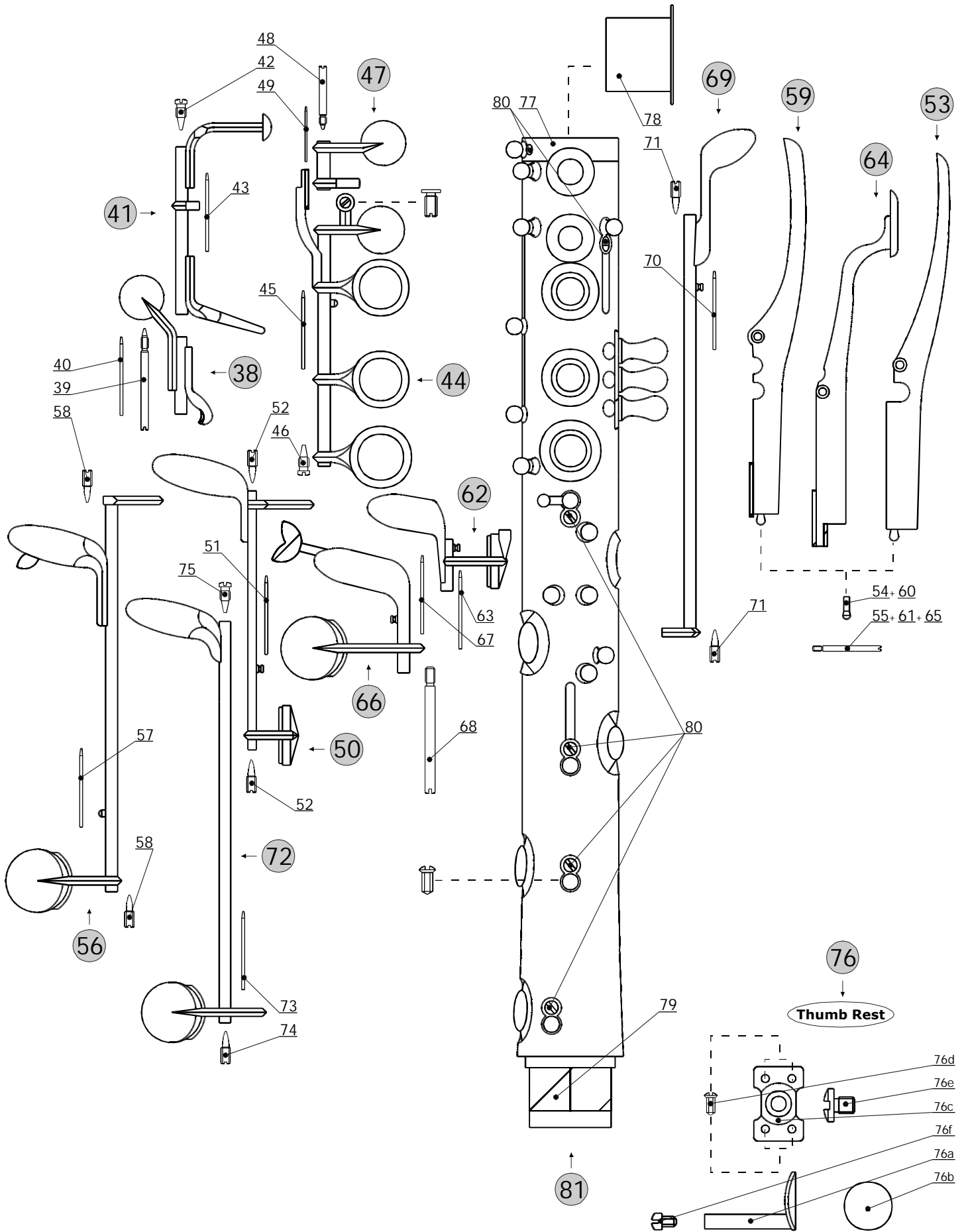
wooden construction, Full Boehm System, 20 keys, 7 ring keys, bore 14.6mm, Eb Lever, G#/F# Trill Key, Low Eb Key, nickel-plated keys, plastic oblong case # 6285.

Last Update Oktober2004

www.amati-denak.cz

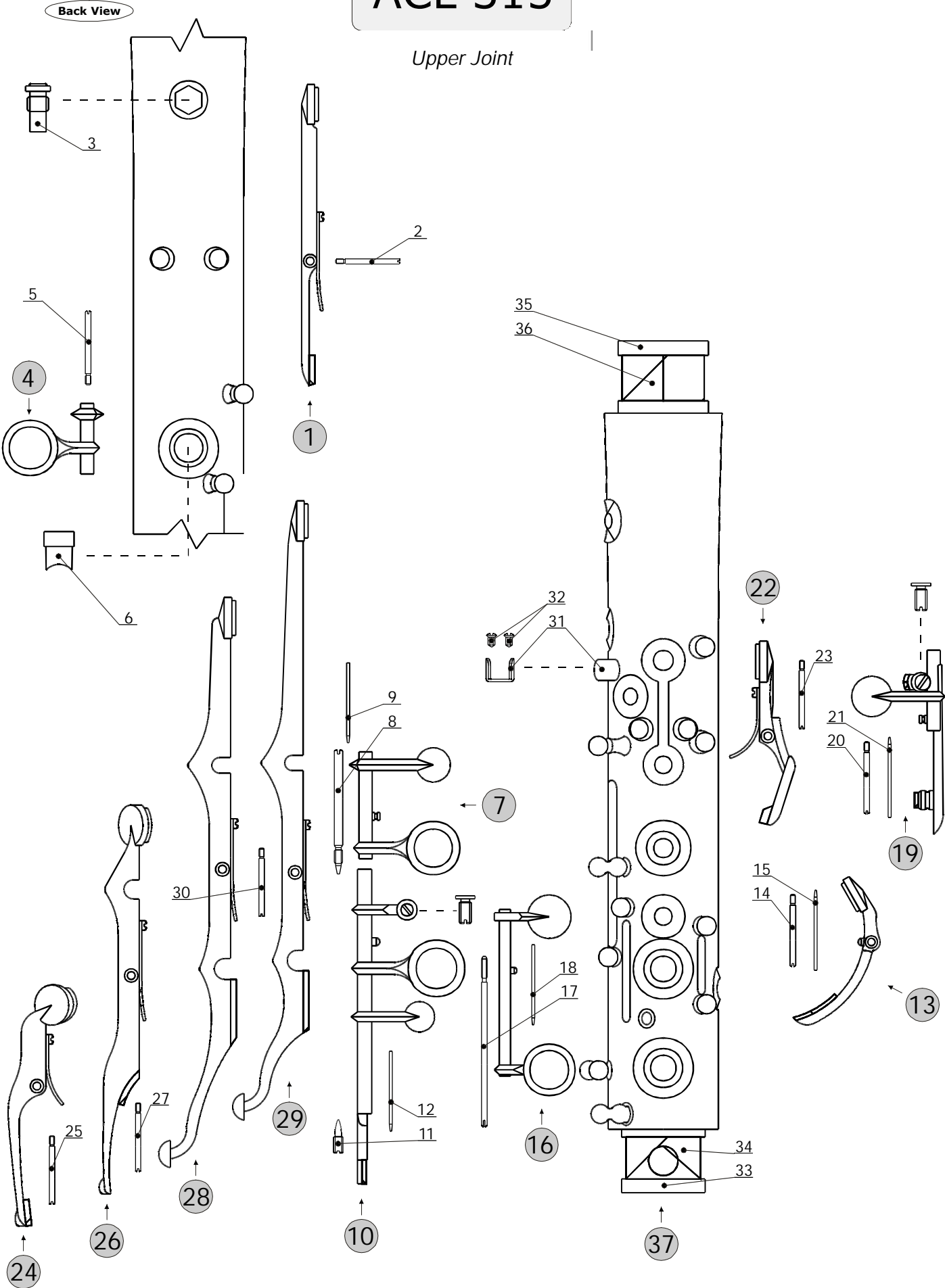
ACL 315

Bottom Joint



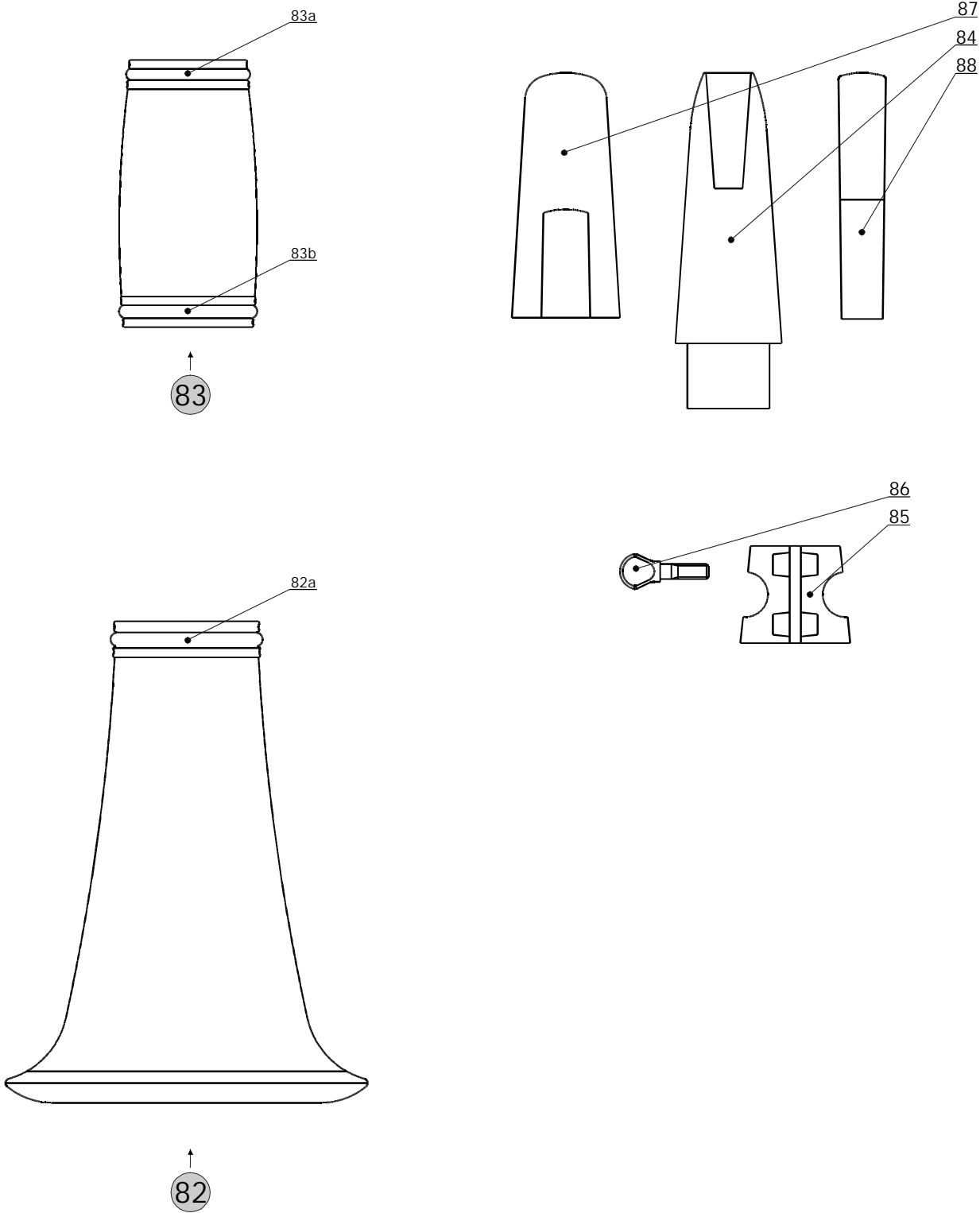
ACL 315

Upper Joint



ACL 315

Bell, Barell, Mouthpiece



Parts For AMATI Bb Clarinet ACL 315.

List #	Part #	Description	Note
<i>Upper Joint</i>			
1	KO 101 KN	Register Key complete, nickel-plated.	
**	POL CL 09 KPI	Register Key Pad.	
**	KOREK 1*30*40	Register Key Cork.	
**	PRUZ CL P 0.30*32	Register Key Flat Spring.	
**	SRK 25	Register Key Flat Spring Screw.	
2	A3*5	Register Key Rod Screw.	
3	H 13 N	Register Key Hole Tube, nickel-plated.	
4	KO 10 KN	G Ring Key complete, nickel-plated.	
**	KOREK 1*30*40	G Ring Key Cork.	
5	A3*13	G Ring Key Rod Screw.	
6	W 11A N	G Ring Key Hole Tube, nickel-plated.	
7	KO 08 KN	F# Ring Key complete, nickel-plated.	
**	POL CL 08 BPR	F# Ring Key Pad.	
**	KOREK 1*30*40	F# Ring Key Cork.	
8	A3*8	F# Ring Key Rod Screw.	
9	PRUZ CL J 0.55*43	F# Ring Key Needle Spring.	
10	KO 09M KN	Bb Ring Key complete, nickel-plated.	
**	POL CL 06 BPR	Bb Ring Key Pad.	
**	KOREK 1*30*40	Bb Ring Key Bridge Cork. Bb Ring Key Adjusting Screw Cork.	
**	SRK 12	Bb Ring Key Adjusting Screw.	
11	SRK 32 SAM	Bb Ring Key Screw.	
12	PRUZ CL J 0.55*43	Bb Ring Key Needle Spring.	
13	KO 111AM KN	Bb Key complete, nickel-plated.	
**	POL CL 09 BPR	Bb Key Pad.	
**	KOREK 1.3*30*40	Bb Key Cork.	
14	A3*13	Bb Key Rod Screw.	
15	PRUZ CL J 0.65*52	Bb Key Needle Spring.	
16	KO 23M KN	C Ring Key complete, nickel-plated.	
**	POL CL 09 BPR	C Ring Key Pad.	
17	A3*11	C Ring Key Rod Screw.	
18	PRUZ CL J 0.55*43	C Ring Key Needle Spring.	
19	KO 107M KN	Ab Key complete, nickel-plated.	
**	POL CL 09 BPR	Ab Key Pad.	
**	KOREK 1*30*40	Ab Key Cork (1 of 2pcs).	
**	SRK 12	Ab Key Adjusting Screw.	
20	A3*6	Ab Key Rod Screw.	
21	PRUZ CL J 0.55*43	Ab Key Needle Spring.	
22	KO 106M KN	A Key complete, nickel-plated.	
**	POL CL 09 BPR	A Key Pad.	
**	KOREK 2.5*11*88	A Key Cork.	
**	PRUZ CL P 0.30*32	A Key Flat Spring.	
**	SRS 4A	A Key Flat Spring Screw.	
23	A3*3	A Key Rod Screw.	
24	KO 105M KN	Bb Trill Key complete, nickel-plated.	
**	POL CL 09 BPR	Bb Trill Key Pad.	
**	KOREK 3.5*9*20	Bb Trill Key Cork.	
**	PRUZ CL P 0.30*32	Bb Trill Key Flat Spring.	
**	SRK 25	Bb Trill Key Flat Spring Screw.	
25	A3*3	Bb Trill Key Rod Screw.	
26	KO 104M KN	C Trill Key complete, nickel-plated.	
**	POL CL 09 BPR	C Trill Key Pad.	
**	KOREK 1.3*30*40	C Trill Key Cork.	
**	PRUZ CL P 0.30*32	C Trill Key Flat Spring.	
**	SRK 25	C Trill Key Flat Spring Screw.	
27	A3*3	C Trill Key Rod Screw.	
28	KO 103M KN	A/Bb Trill Key complete, nickel-plated.	
**	POL CL 09 BPR	A/Bb Trill Key Pad.	
**	KOREK 2*30*40	A/Bb Trill Key Cork.	
**	PRUZ CL P 0.35*32	A/Bb Trill Key Flat Spring.	
**	SRK 25	A/Bb Trill Key Flat Spring Screw.	
29	KO 102M KN	A Trill Key complete, nickel-plated.	
**	POL CL 09 BPR	A Trill Key Pad.	
**	KOREK 3.5*40*145	A Trill Key Cork.	
**	PRUZ CL P 0.35*32	A Trill Key Flat Spring.	

**	SRK 25	A Trill Key Flat Spring Screw.
30	A3*13	A+A/Bb Trill Key Rod Screw.
31	V 22A N	A+A/Bb Trill Key Guide nickel-plated.
32	SRK 01	A+A/Bb Trill Key Guide Screw (1 of 2pcs).
33	CH 24	Lower Tenon Ring.
34	KOREK 2.5*11*88	Lower Tenon Cork.
35	CH 25	Upper Tenon Ring.
36	KOREK 2.5*12*88	Upper Tenon Cork.
37	OSPDH 314CL N	Upper Joint, Posted & Sprung, nickel-plated.
**	DHM 314CL N	Upper Joint Assy., complete with Keys (List # 1-37), nickel-plated.

Lower Joint

38	KO 114M KN	Bb/F# Key complete, nickel-plated.
**	POL CL 12 BPR	Bb/F# Key Pad.
**	KOREK 1.3*30*40	Bb/F# Key Cork.
39	A3*8	Bb/F# Key Rod Screw.
40	PRUZ CL J 0.75*56	Bb/F# Key Needle Spring.
41	KO 12AM KN	G# Key complete, nickel-plated.
**	KOREK 1.3*30*40	G# Key Cork (Left Hand Spatula).
**	KOREK 1*30*40	G# Key Cork (Right Hand Trill Key).
42	SRK 32	G# Key Screw.
43	PRUZ CL J 0.85*58	G# Key Needle Spring.
44	KO 13M KN	Bottom Ring Key complete, nickel-plated.
**	POL CL 12 BPR	Bottom Ring Key Pad.
**	KOREK 1*30*40	Bottom Ring Key Cork. Bottom Ring Key Adjusting Screw Cork.
**	SRK 12	Bottom Ring Key Adjusting Screw.
45	PRUZ CL J 0.65*52	Bottom Ring Key Needle Spring.
46	SRK 32	Bottom Ring Key Screw.
47	KO 12BM KN	F#/G# Trill Key complete, nickel-plated.
**	POL CL 12 BPR	F#/G# Trill Key Pad.
48	A3*8A	F#/G# Trill Key Rod Screw.
49	PRUZ CL J 0.40*50	F#/G# Trill Key Needle Spring.
50	KO 120BM KN	C# Key complete, nickel-plated.
**	POL CL 16 BPR	C# Key Pad.
51	PRUZ CL J 0.88*35	C# Key Needle Spring.
52	SRK 32 SAM	C# Key Screw (1 of 2pcs).
53	KO 118BM KN	C# Lever complete, nickel-plated.
54	N 13	C# Lever Connector Pin.
55	A3*4	C# Lever Rod Screw.
56	KO 121BM KN	B Key complete, nickel-plated.
**	POL CL 17 BPR	B Key Pad.
**	KOREK 1*30*40	B Key Cork.
57	PRUZ CL J 0.65*52	B Key Needle Spring.
58	SRK 32 SAM	B Key Screw (1 of 2pcs).
59	KO 117M KN	B Lever complete, nickel-plated.
**	KOREK 1*30*40	B Lever Cork.
60	N 13	B Lever Connector Pin.
61	A3*4	B Lever Rod Screw.
62	KO 119A KN	Eb Key complete, nickel-plated.
**	POL CL 15 BPR	Eb Key Pad.
**	KOREK 1*30*40	Eb Key Cork.
63	PRUZ CL J 0.65*52	Eb Key Needle Spring.
64	KO 119B KN	Eb Lever complete, nickel-plated.
**	KOREK 1.3*30*40	Eb Lever Cork.
65	A3*4	Eb Lever Rod Screw.
66	KO 116A KN	C Key complete, nickel-plated.
**	POL CL 17 BPR	C Key Pad.
**	KOREK 1.3*30*40	C Key Cork, large.
**	KOREK 1*30*40	C Key Cork, small.
67	PRUZ CL J 0.55*43	C Key Needle Spring.
68	A3*10	Eb+C Key Rod Screw.
69	KO 115 KN	C Lever complete, nickel-plated.
**	KOREK 1*30*40	C Lever Cork.
70	PRUZ CL J 0.55*43	C Lever Needle Spring.
71	SRK 32 SAM	C Lever Screw (1 of 2pcs).
72	KO 22M KN	Low Eb Key complete, nickel-plated.
**	POL CL 17 BPR	Low Eb Key Pad.

**	KOREK 1.3*30*40	Low Eb Key Cork.
73	PRUZ CL J 0.65*52	Low Eb Key Needle Spring.
74	SRK 32 SAM	Low Eb Key Screw, lower.
75	SRK 32	Low Eb Key Screw, upper.
76	PP 46 KN	Thumb Rest Assy., nickel-plated.
76a	PP 46 N	Thumb Rest, nickel-plated.
76b	BAREX	Thumb Rest Cushion.
76c	DP 01 N	Thumb Rest Saddle, nickel-plated.
76d	SRK 03	Thumb Rest Saddle Screw (1 of 4pcs).
76e	SRK 46 N	Thumb Rest Retaining Screw, nickel-plated.
76f	S 606	Thumb Rest Screw.
77	K 20 L	Lower Joint Ring, nickel-plated.
78	D 12 L	Lower Joint Metal Insert.
79	KOREK 2.5*13*100	Lower Joint Cork.
80	SRK 03	Post Screw (1 of 6pcs).
81	OSPDD 315CL N	Lower Joint, Posted & Sprung, nickel-plated.
**	DDM 315CL N	Lower Joint Assy., complete with Keys (List # 38-81), nickel-plated.
<i>Bell, Barrel, Mouthpiece</i>		
82	OZD 07J N	Bell complete with Ring, engraved with 'Amati Kraslice' logo.
82a	K 15N N	Bell Ring, nickel-plated.
83	SD 64 N	Barell with Rings, nickel-plated, 64mm.
83a	K 09 N	Barell Ring, nickel-plated (upper).
83b	K 13 N	Barell Ring, nickel-plated (lower).
84	HBK 6	Mouthpiece, Facing # 6.
85	SP 02 N	Ligature, nickel-plated.
86	SRK 21 N	Ligature Screw, nickel-plated.
87	KL 02 N	Cap, nickel-plated.
88	JBK 2	Reed, # 2.
**	HBKC 6	Mouthpiece complete, nickel-plated (List # 84-88).
**	SDPOL CL 315PR	Set of Pads.
**	SDPRUZ CL 315	Set of Springs.
**	SDSA CL 315	Set of Screws.
**	SDMECH CL 315 N	Set of Keys, nickel-plated.

Important:

1/ All Keys nickel-plated. For silver-plated Keys, please add 'S' to the Model Number, instead of 'N'.

2/ Please indicate the Instrument's Model Number, when ordering.