

# INSTRUMENTS PARTS CATALOGUE

## Woodwind Instruments

### Clarinets



#### **Bb Clarinet ACL 313**



#### **AMATI Bb Clarinet ACL 313**

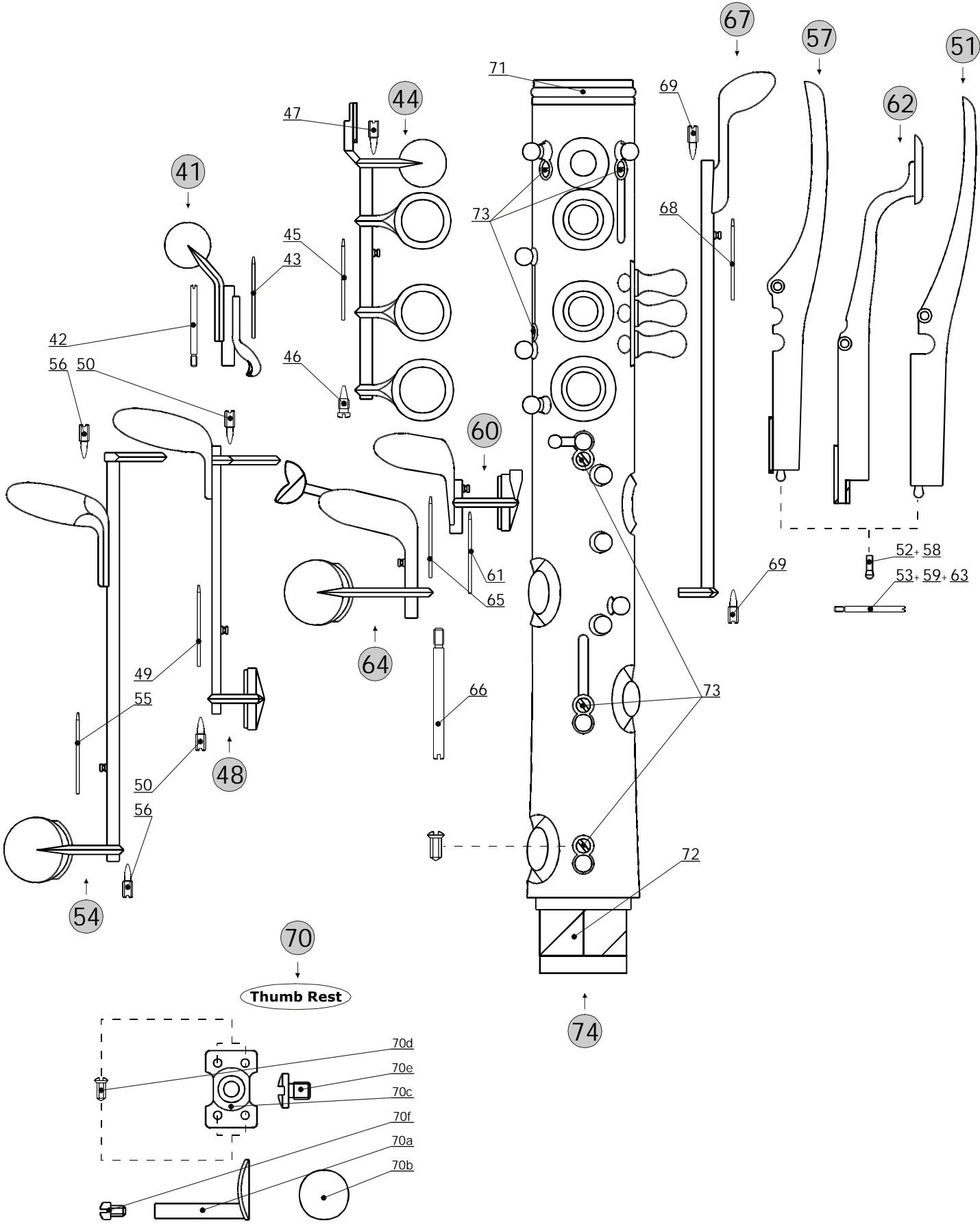
*wooden construction, 18 keys, 7 ring keys, bore 14.6mm, Eb Lever, nickel-plated keys, plastic oblong case # 6283.*

***Last Update September 2004***

[www.amati-denak.cz](http://www.amati-denak.cz)

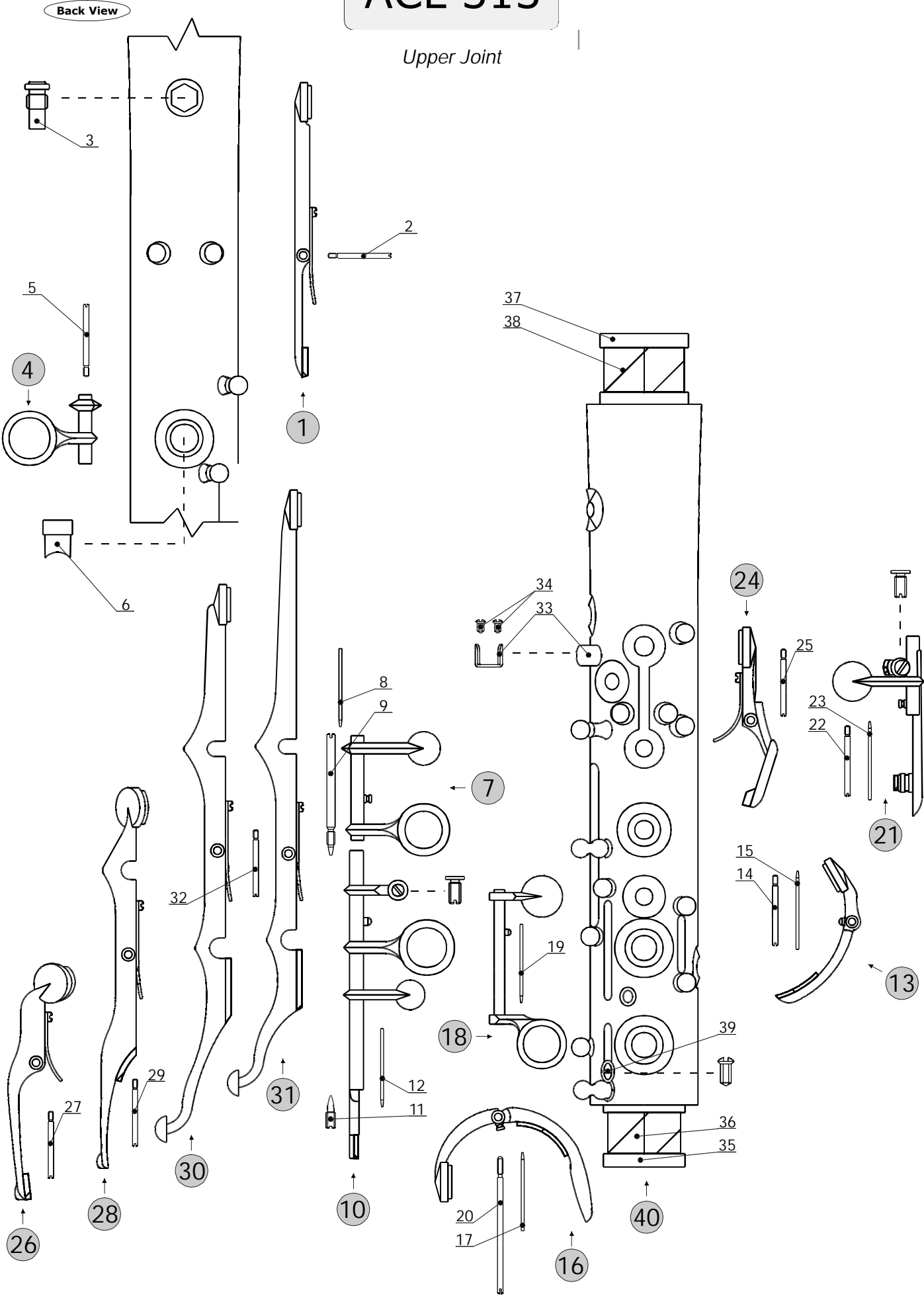
# ACL 313

## Bottom Joint



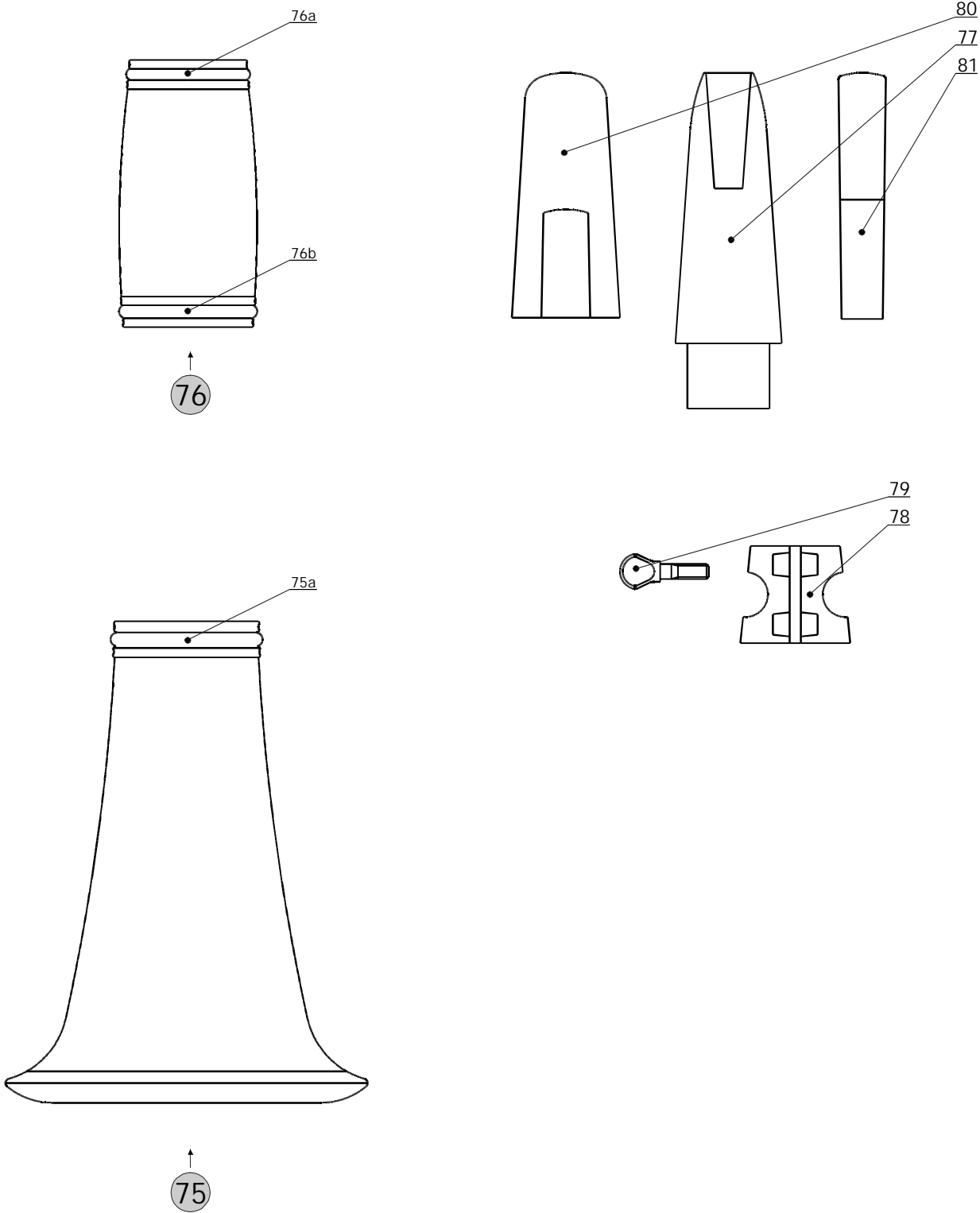
# ACL 313

## Upper Joint



# ACL 313

Bell, Barell, Mouthpiece



## Parts For AMATI Bb Clarinet ACL 313.

List #	Part #	Description	Note
<i>Upper Joint</i>			
1	KO 101 KN	Register Key complete, nickel-plated.	
**	POL CL 09 KPI	Register Key Pad.	
**	KOREK 1*30*40	Register Key Cork.	
**	PRUZ CL P 0.30*32	Register Key Flat Spring.	
**	SRK 25	Register Key Flat Spring Screw.	
2	A3*5	Register Key Rod Screw.	
3	H 13 N	Register Key Hole Tube, nickel-plated.	
4	KO 10 KN	G Ring Key complete, nickel-plated.	
**	KOREK 1*30*40	G Ring Key Cork.	
5	A3*13	G Ring Key Rod Screw.	
6	W 11A N	G Ring Key Hole Tube, nickel-plated.	
7	KO 08 KN	F# Ring Key complete, nickel-plated.	
**	POL CL 08 BPR	F# Ring Key Pad.	
**	KOREK 1*30*40	F# Ring Key Cork.	
8	A3*8	F# Ring Key Rod Screw.	
9	PRUZ CL J 0.55*43	F# Ring Key Needle Spring.	
10	KO 09A KN	Bb Ring Key complete, nickel-plated.	
**	POL CL 06 BPR	Bb Ring Key Pad.	
**	KOREK 1*30*40	Bb Ring Key Bridge Cork. Bb Ring Key Screw Cork.	
**	SRK 12	Bb Ring Key Adjusting Screw.	
11	SRK 32 SAM	Bb Ring Key Screw.	
12	PRUZ CL J 0.55*43	Bb Ring Key Needle Spring.	
13	KO 111AM KN	Bb Key complete, nickel-plated.	
**	POL CL 09 BPR	Bb Key Pad.	
**	KOREK 1.3*30*40	Bb Key Cork.	
14	A3*13	Bb Key Rod Screw.	
15	PRUZ CL J 0.65*52	Bb Key Needle Spring.	
16	KO 112A KN	G# Key complete, nickel-plated.	
**	POL CL 09 BPR	G# Key Pad.	
**	KOREK 1*30*40	G# Key Cork.	
17	PRUZ CL J 0.65*52	G# Key Needle Spring.	
18	KO 23 KN	C Ring Key complete, nickel-plated.	
**	POL CL 09 BPR	C Ring Key Pad.	
19	PRUZ CL J 0.55*43	C Ring Key Needle Spring.	
20	A3*12	G# Key + C Ring Key Rod Screw.	
21	KO 107M KN	Ab Key complete, nickel-plated.	
**	POL CL 09 BPR	Ab Key Pad.	
**	KOREK 1*30*40	Ab Key Cork (1 of 2pcs).	
**	SRK 12	Ab Key Adjusting Screw.	
22	A3*6	Ab Key Rod Screw.	
23	PRUZ CL J 0.55*43	Ab Key Needle Spring.	
24	KO 106M KN	A Key complete, nickel-plated.	
**	POL CL 09 BPR	A Key Pad.	
**	KOREK 2.5*11*88	A Key Cork.	
**	PRUZ CL P 0.30*32	A Key Flat Spring.	
**	SRS 4A	A Key Flat Spring Screw.	
25	A3*3	A Key Rod Screw.	
26	KO 105M KN	Bb Trill Key complete, nickel-plated.	
**	POL CL 09 BPR	Bb Trill Key Pad.	
**	KOREK 3.5*9*20	Bb Trill Key Cork.	
**	PRUZ CL P 0.30*32	Bb Trill Key Flat Spring.	
**	SRK 25	Bb Trill Key Flat Spring Screw.	
37	A3*3	Bb Trill Key Rod Screw.	
28	KO 104M KN	C Trill Key complete, nickel-plated.	
**	POL CL 09 BPR	C Trill Key Pad.	
**	KOREK 1.3*30*40	C Trill Key Cork.	
**	PRUZ CL P 0.30*32	C Trill Key Flat Spring.	
**	SRK 25	C Trill Key Flat Spring Screw.	
29	A3*3	C Trill Key Rod Screw.	
30	KO 103M KN	A/Bb Trill Key complete, nickel-plated.	
**	POL CL 09 BPR	A/Bb Trill Key Pad.	
**	KOREK 2*30*40	A/Bb Trill Key Cork.	
**	PRUZ CL P 0.35*32	A/Bb Trill Key Flat Spring.	
**	SRK 25	A/Bb Trill Key Flat Spring Screw.	

31	KO 102M KN	A Trill Key complete, nickel-plated.
**	POL CL 09 BPR	A Trill Key Pad.
**	KOREK 3.5*40*145	A Trill Key Cork.
**	PRUZ CL P 0.35*32	A Trill Key Flat Spring.
**	SRK 25	A Trill Key Flat Spring Screw.
32	A3*13	A+A/Bb Trill Key Rod Screw.
33	V 22A N	A+A/Bb Trill Key Guide nickel-plated.
34	SRK 01	A+A/Bb Trill Key Guide Screw (1 of 2pcs).
35	CH 24	Lower Tenon Ring.
36	KOREK 2.5*11*88	Lower Tenon Cork.
37	CH 25	Upper Tenon Ring.
38	KOREK 2.5*12*88	Upper Tenon Cork.
39	SRK 03	Post Screw.
40	OSPDH 313CL N	Upper Joint, Posted & Sprung, nickel-plated.
**	DHM 313CL N	Upper Joint Assy., complete with Keys (List # 1-40), nickel-plated.
<i>Lower Joint</i>		
41	KO 114M KN	Bb/F# Key complete, nickel-plated.
**	POL CL 12 BPR	Bb/F# Key Pad.
**	KOREK 1.3*30*40	Bb/F# Key Cork.
42	A3*7	Bb/F# Key Rod Screw.
43	PRUZ CL J 0.75*56	Bb/F# Key Needle Spring.
44	KO 13 KN	Bottom Ring Key complete, nickel-plated.
**	POL CL 12 BPR	Bottom Ring Key Pad.
**	KOREK 1*30*40	Bottom Ring Key Cork.
45	PRUZ CL J 0.65*52	Bottom Ring Key Needle Spring.
46	SRK 32	Bottom Ring Key Screw, lower.
47	SRK 32 SAM	Bottom Ring Key Screw, upper.
48	KO 120BM KN	C# Key complete, nickel-plated.
**	POL CL 16 BPR	C# Key Pad.
49	PRUZ CL J 0.88*35	C# Key Needle Spring.
50	SRK 32 SAM	C# Key Screw (1 of 2pcs).
51	KO 118BM KN	C# Lever complete, nickel-plated.
52	N 13	C# Lever Connector Pin.
53	A3*4	C# Lever Rod Screw.
54	KO 121M KN	B Key complete, nickel-plated.
**	POL CL 17 BPR	B Key Pad.
55	PRUZ CL J 0.65*52	B Key Needle Spring.
56	SRK 32 SAM	B Key Screw (1 of 2pcs).
57	KO 117M KN	B Lever complete, nickel-plated.
**	KOREK 1*30*40	B Lever Cork.
58	N 13	B Lever Connector Pin.
59	A3*4	B Lever Rod Screw.
60	KO 119A KN	Eb Key complete, nickel-plated.
**	POL CL 15 BPR	Eb Key Pad.
**	KOREK 1*30*40	Eb Key Cork.
61	PRUZ CL J 0.65*52	Eb Key Needle Spring.
62	KO 119B KN	Eb Lever complete, nickel-plated.
**	KOREK 1.3*30*40	Eb Lever Cork.
63	A3*4	Eb Lever Rod Screw.
64	KO 116 KN	C Key complete, nickel-plated.
**	POL CL 17 BPR	C Key Pad.
**	KOREK 1.3*30*40	C Key Cork, large.
**	KOREK 1*30*40	C Key Cork, small.
65	PRUZ CL J 0.55*43	C Key Needle Spring.
66	A3*10	Eb+C Key Rod Screw.
67	KO 115 KN	C Lever complete, nickel-plated.
**	KOREK 1*30*40	C Lever Cork.
68	PRUZ CL J 0.55*43	C Lever Needle Spring.
69	SRK 32 SAM	C Lever Screw (1 of 2pcs).
70	PP 46 KN	Thumb Rest Assy.. nickel-plated.
70a	PP 46 N	Thumb Rest, nickel-plated.
70b	BAREX	Thumb Rest Cushion.
70c	DP 01 N	Thumb Rest Saddle, nickel-plated.
70d	SRK 03	Thumb Rest Saddle Screw (1 of 4pcs).
70e	SRK 46 N	Thumb Rest Retaining Screw, nickel-plated.
70f	S 606	Thumb Rest Screw.
71	K 10 N	Lower Joint Ring, nickel-plated.

72	KOREK 2.5*13*100	Lower Joint Cork.
73	SRK 03	Post Screw (1 of 6pcs).
74	OSPDD 212CL N	Lower Joint, Posted & Sprung, nickel-plated.
**	DDM 312CL N	Lower Joint Assy., complete with Keys (List # 41-74), nickel-plated.
<i>Bell, Barrel, Mouthpiece</i>		
75	OZD 07J N	Bell complete with Ring, engraved with 'Amati Kraslice' logo.
75a	K 15N N	Bell Ring, nickel-plated.
76	SD 64 N	Barell with Rings, nickel-plated, 64mm.
76a	K 09 N	Barell Ring, nickel-plated (upper).
76b	K 13 N	Barell Ring, nickel-plated (lower).
77	HBK 6	Mouthpiece, Facing # 6.
78	SP 02 N	Ligature, nickel-plated.
79	SRK 21 N	Ligature Screw, nickel-plated.
80	KL 02 N	Cap, nickel-plated.
81	JBK 2	Reed, # 2.
**	HBKC 6	Mouthpiece complete, nickel-plated (List # 77-81).
**	SDPOL CL 313PR	Set of Pads.
**	SDPRUZ CL 313	Set of Springs.
**	SDSA CL 313	Set of Screws.
**	SDMECH CL 313 N	Set of Keys, nickel-plated.

**Important:**

1/ All Keys nickel-plated. For silver-plated Keys, please add 'S' to the Model Number, instead of 'N'.

2/ Please indicate the Instrument's Model Number, when ordering.