

INSTRUMENTS PARTS CATALOGUE

Woodwind Instruments

Clarinets



Bb Clarinet ACL 245S

AMATI Bb Clarinet ACL 245S

German system, wooden construction with plastic bell, 18 keys, 6 ring keys, bore 14.6mm, Eb Lever, 4 Trill Keys, 2 barrels, adjustable thumb rest, silver-plated keys, plastic oblong case # 6288.

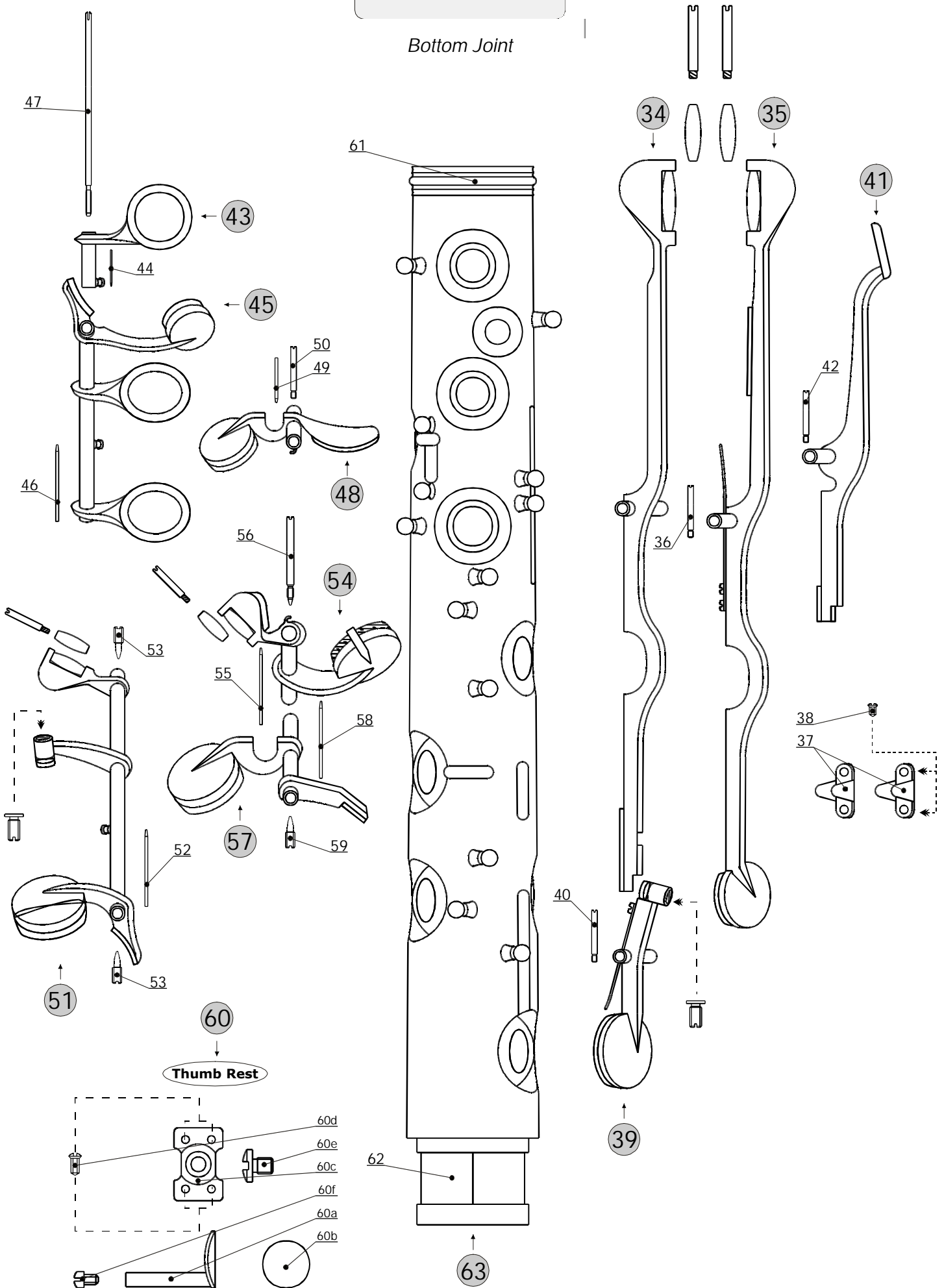
***Related Models:
ACL 345S - With wooden bell.***

Last Update January 2005

www.amati-denak.cz

ACL 245S

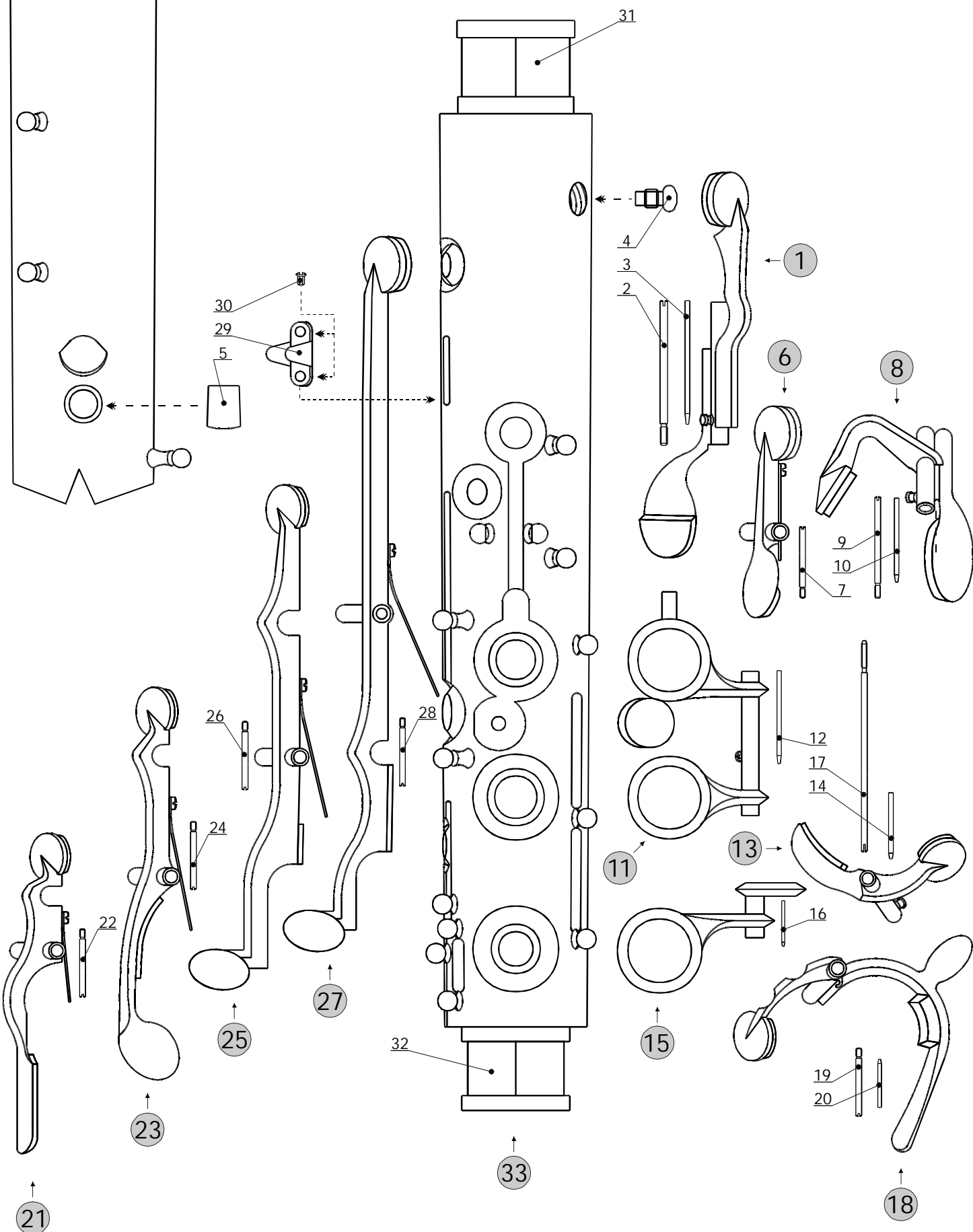
Bottom Joint



Back View

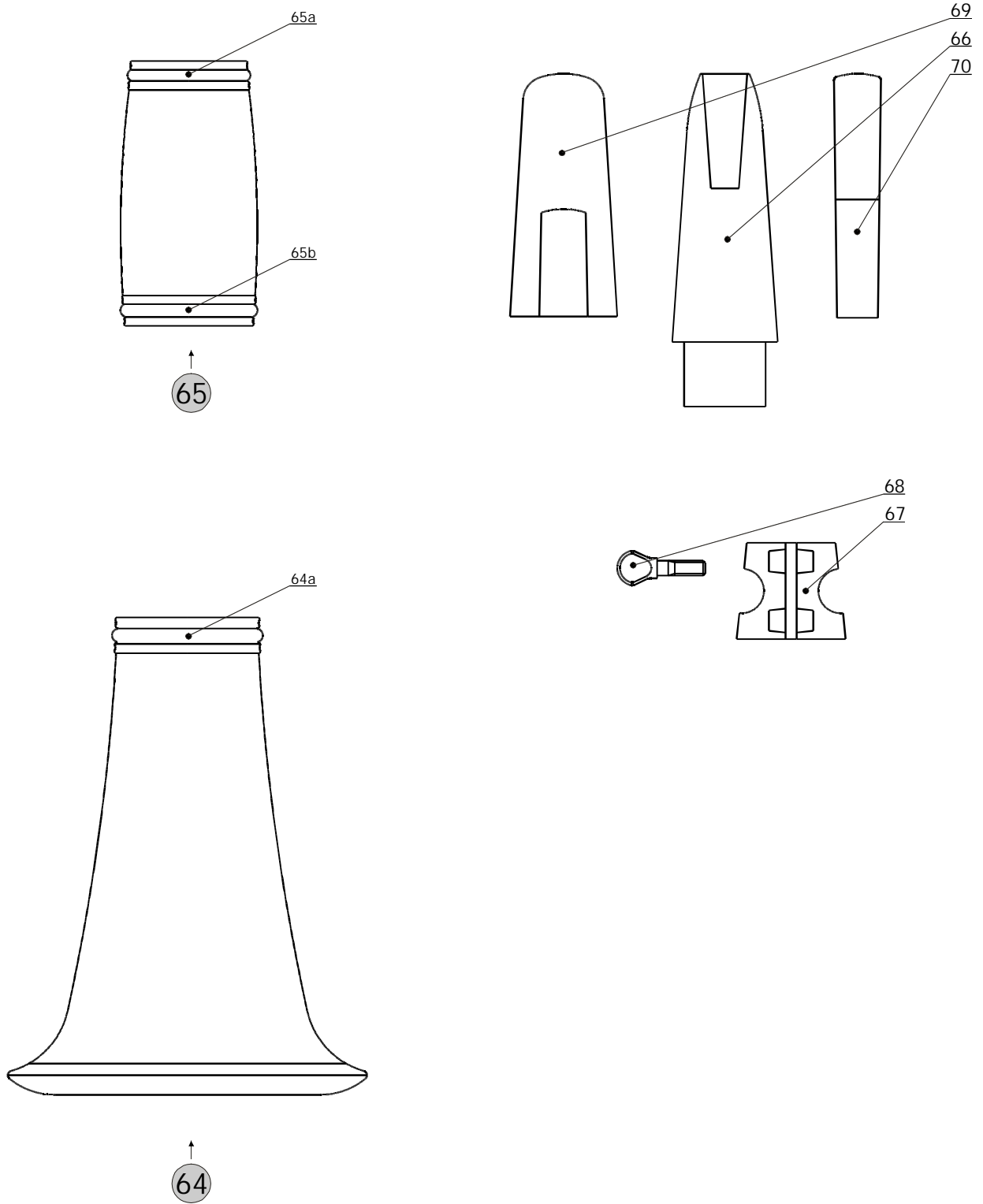
ACL 245S

Upper Joint



ACL 245S

Bell, Barell, Mouthpiece



Parts For AMATI Bb Clarinet ACL 245S/345S.

List #	Part #	Description	Note
<i>Upper Joint</i>			
1	KO 200 KS	Register Key complete, silver-plated.	
**	POL CL 09 KPI	Register Key Pad.	
**	KOREK 1.3*30*40	Register Key Cork.	
2	A3*9	Register Key Rod Screw.	
3	PRUZ CL J 0.75*56	Register Key Needle Spring.	
4	H 12 S	Register Key Hole Tube, silver-plated.	
5	W 22 L	Thumb Hole Insert, polished.	
6	KO 205L KS	A Key complete, silver-plated.	
**	POL CL 10 KPI	A Key Pad.	
**	KOREK 1.3*30*40	A Key Cork.	
**	PRUZ CL P 0.20*32	A Key Flat Spring.	
**	SRK 25	A Key Flat Spring Screw.	
7	A3*3	A Key Rod Screw.	
8	KO 206 KS	Ab Key complete, silver-plated.	
**	POL CL 09 KPI	Ab Key Pad.	
**	KOREK 2.5*11*88	Ab Key Cork (1 of 2pcs).	
9	A3*6	Ab Key Rod Screw.	
10	PRUZ CL J 0.65*52	Ab Key Needle Spring.	
11	KO 24A KS	Upper Ring Key complete, silver-plated.	
**	POL CL 09 KPI	Upper Ring Key Pad.	
12	PRUZ CL J 0.55*43	Upper Ring Key Needle Spring.	
13	KO 215AL KS	Bb Key complete, silver-plated.	
**	POL CL 10 KPI	Bb Key Pad.	
**	KOREK 1.3*30*40	Bb Key Cork.	
14	PRUZ CL J 0.55*43	Bb Key Needle Spring.	
15	KO 28 KS	C Ring Key complete, silver-plated.	
**	KOREK 1*30*40	C Ring Key Cork.	
16	PRUZ CL J 0.55*43	C Ring Key Needle Spring.	
17	A3*12	Upper Ring Key/Bb Key/C Ring Key Rod Screw.	
18	KO 217 KS	G# Key complete, silver-plated.	
**	POL CL 08 KPI	G# Key Pad.	
**	KOREK 2.5*11*88	G# Key Cork.	
19	A3*5	G# Key Rod Screw.	
20	PRUZ CL J 0.65*52	G# Key Needle Spring.	
21	KO 214 KS	Bb Trill Key complete, silver-plated.	
**	POL CL 10 KPI	Bb Trill Key Pad.	
**	KOREK 1.3*30*40	Bb Trill Key Cork.	
**	PRUZ CL P 0.30*32	Bb Trill Key Flat Spring.	
**	SRK 25	Bb Trill Key Flat Spring Screw.	
22	A3*5	Bb Trill Key Rod Screw.	
23	KO 213 KS	C Trill Key complete, silver-plated.	
**	POL CL 10 KPI	C Trill Key Pad.	
**	KOREK 1.3*30*40	C Trill Key Cork.	
**	PRUZ CL P 0.30*32	C Trill Key Flat Spring.	
**	SRK 25	C Trill Key Flat Spring Screw.	
24	A3*5	C Trill Key Rod Screw.	
25	KO 212 KS	A/Bb Trill Key complete, silver-plated.	
**	POL CL 10 KPI	A/Bb Trill Key Pad.	
**	KOREK 2.5*11*88	A/Bb Trill Key Cork.	
**	PRUZ CL P 0.30*32	A/Bb Trill Key Flat Spring.	
**	SRK 25	A/Bb Trill Key Flat Spring Screw.	
26	A3*5	A/Bb Trill Key Rod Screw.	
27	KO 211 KS	A Trill Key complete, silver-plated.	
**	POL CL 10 KPI	A Trill Key Pad.	
**	KOREK 2.5*11*88	A Trill Key Cork.	
**	PRUZ CL P 0.35*32	A Trill Key Flat Spring.	
**	SRK 25	A Trill Key Flat Spring Screw.	
28	A3*5	A Trill Key Rod Screw.	
29	V 21 S	A Trill Key Guide, silver-plated.	
30	SRK 01	A Trill Key Guide Screw (1 of 2pcs).	
31	KOREK 2.5*12*88	Upper Tenon Cork.	
32	KOREK 2.5*11*88	Lower Tenon Cork.	
33	OSPDH 245CL S	Upper Joint, Posted & Sprung, silver-plated.	
**	DHM 245CL S	Upper Joint Assy., complete with Keys (List # 1-33), silver-plated.	

Lower Joint

34	KO 26L KS	B Lever complete, silver-plated.
**	KOREK 1*30*40	B Lever Cork.
**	VA 26	Key Roller.
**	A1*21A	Key Roller Rod Screw.
35	KO 27L KS	C# Key complete, silver-plated.
**	POL CL 15 KPI	C# Key Pad.
**	KOREK 1*30*40	C# Key Cork.
**	PRUZ CL P 350/F2	C# Key Flat Spring.
**	SRK 25	C# Key Flat Spring Screw (1 of 2pcs).
**	VA 26	Key Roller.
**	A1*21A	Key Roller Rod Screw.
36	A3*6	C# Key/B Lever Rod Screw.
37	V 21 S	C# Key/B Lever Guide (1 of 2pcs), silver-plated.
38	SRK 01	C# Key/B Lever Guide Screw (1 of 2pcs).
39	KO 230L KS	B Key complete, silver-plated.
**	POL CL 17 KPI	B Key Pad.
**	KOREK 1*30*40	B Key Cork.
**	PRUZ CL P 0.15*32	B Key Flat Spring.
**	SRK 25	B Key Flat Spring Screw.
**	SRK 12	B Key Adjusting Screw.
40	A3*5	B Key Rod Screw.
41	KO 226L KS	Eb Lever complete, silver-plated.
**	KOREK 0.75*30*40	Eb Lever Cork (1 of 2pcs).
42	A3*6	Eb Lever Rod Screw.
43	KO 29 KS	B Ring Key, silver-plated.
**	KOREK 1*30*40	B Ring Key Cork.
44	PRUZ CL J 0.55*43	B Ring Key Needle Spring.
45	KO 25A KS	Bottom Ring Key complete, silver-plated.
**	POL CL 10 KPI	Bottom Ring Key Pad.
**	KOREK 1*30*40	Bottom Ring Key Cork.
46	PRUZ CL J 0.65*52	Bottom Ring Key Needle Spring.
47	A5*72	B Ring Key/Bottom Ring Key Rod Screw.
48	K 220L KS	F Key complete, silver-plated.
**	POL CL 12 KPI	F Key Pad.
**	KOREK 1.3*30*40	F Key Cork.
49	PRUZ CL J 0.55*43	F Key Needle Spring.
50	A3*5	F Key Rod Screw.
51	KO 239L KS	C Key complete, silver-plated.
**	POL CL 17 KPI	C Key Pad.
**	KOREK 1.3*30*40	C Key Cork.
**	SRK 12	C Key Adjusting Screw.
**	KOREK 1*30*40	C Key Adjusting Screw Cork.
**	VA 26	Key Roller.
**	A1*21A	Key Roller Rod Screw.
52	PRUZ CL J 0.65*52	C Key Needle Spring.
53	SRK 32 SAM	C Key Screw (1 of 2pcs).
54	KO 235L KS	Eb Key complete, silver-plated.
**	POL CL 15 KPI	Eb Key Pad.
**	KOREK 3.5*40*145	Eb Key Cork.
**	VA 26	Key Roller.
**	A1*21A	Key Roller Rod Screw.
55	PRUZ CL J 0.75*56	Eb Key Needle Spring.
56	A3*8	Eb Key Rod Screw.
57	KO 233L KS	C# Trigger complete, silver-plated.
**	POL CL 17 KPI	C# Trigger Pad.
**	KOREK 1*30*40	C# Trigger Cork.
58	PRUZ CL J 0.55*43	C# Trigger Needle Spring.
59	SRK 32 SAM	C# Trigger Screw.
60	PP 46 KN	Thumb Rest Assy.. nickel-plated.
60a	PP 46 N	Thumb Rest, nickel-plated.
60b	BAREX	Thumb Rest Cushion.
60c	DP 01 N	Thumb Rest Saddle, nickel-plated.
60d	SRK 03	Thumb Rest Saddle Screw (1 of 4pcs).
60e	SRK 46 N	Thumb Rest Retaining Screw, nickel-plated.
60f	S 606	Thumb Rest Screw.
61	K 10 S	Lower Joint Ring, silver-plated.

62	KOREK 2.5*13*100	Lower Joint Cork.	
63	OSPDD 245CL S	Lower Joint, Posted & Sprung, silver-plated.	
**	DDM 245CL S	Lower Joint Assy., complete with Keys (List # 34-63), silver-plated.	
<i>Bell, Barrel, Mouthpiece</i>			
64	OZU 07 S OZD 07 S	Bell complete with Ring, engraved with 'Amati Kraslice' logo.	<i>Plastic, for ACL 245S Models. Wooden, for ACL 345S Models.</i>
64a	K 15N S	Bell Ring, silver-plated.	
65	SD 58 S	Barell with Rings, silver-plated, 58mm.	
	SD 56 S	Barell with Rings, silver-plated, 56mm.	
65a	K 09 S	Barell Ring, silver-plated (upper).	
65b	K 13 S	Barell Ring, silver-plated (lower).	
66	HBK 6	Mouthpiece, Facing # 6.	
67	SP 02 S	Ligature, silver-plated.	
68	SRK 21 S	Ligature Screw, silver-plated.	
69	KL 02 S	Cap, silver-plated.	
70	JBK 2	Reed, # 2.	
**	HBKC 6	Mouthpiece complete, silver-plated (List # 66-70).	
**	SDPOL CL 245KPI	Set of Pads.	
**	SDPRUZ CL 245	Set of Springs.	
**	SDSA CL 245	Set of Screws.	
**	SDMECH CL 245 S	Set of Keys, silver-plated.	

Important:

1/ All Keys silver-plated.

2/ Please indicate the Instrument's Model Number, when ordering.