

Woodwind Instruments

Clarinets



Bb Clarinet ACL 242



AMATI Bb Clarinet ACL 242

German system, wooden construction with plastic bell, 17 keys, 4 ring keys, bore 14.6mm, Eb Lever, fixed thumb rest, nickel-plated keys, plastic oblong case # 6286.

***Related Models:
ACL 342 - With wooden bell.***

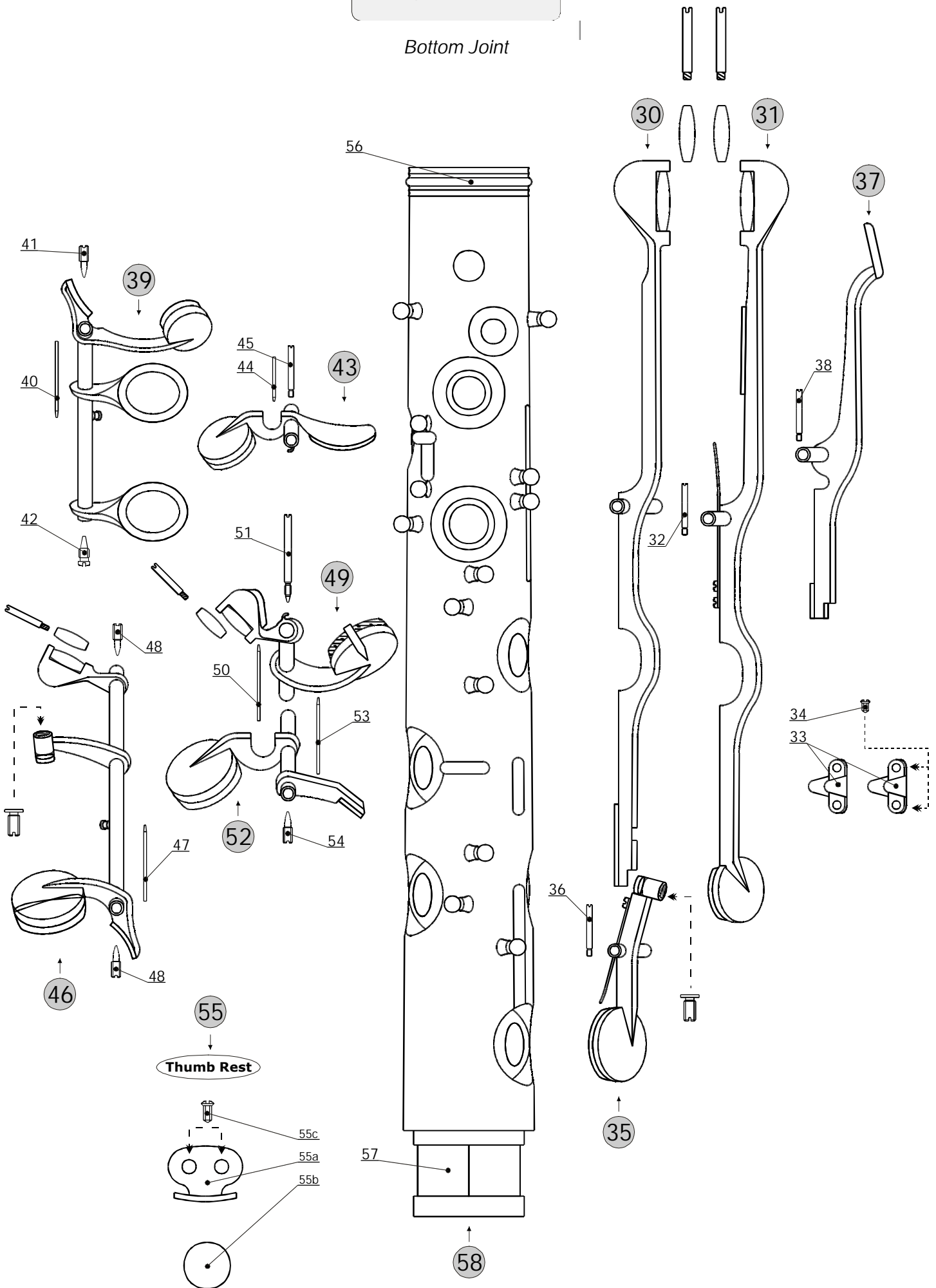
***Available Options:
S - Silver-plated keys.***

Last Update January 2005

www.amati-denak.cz

ACL 242

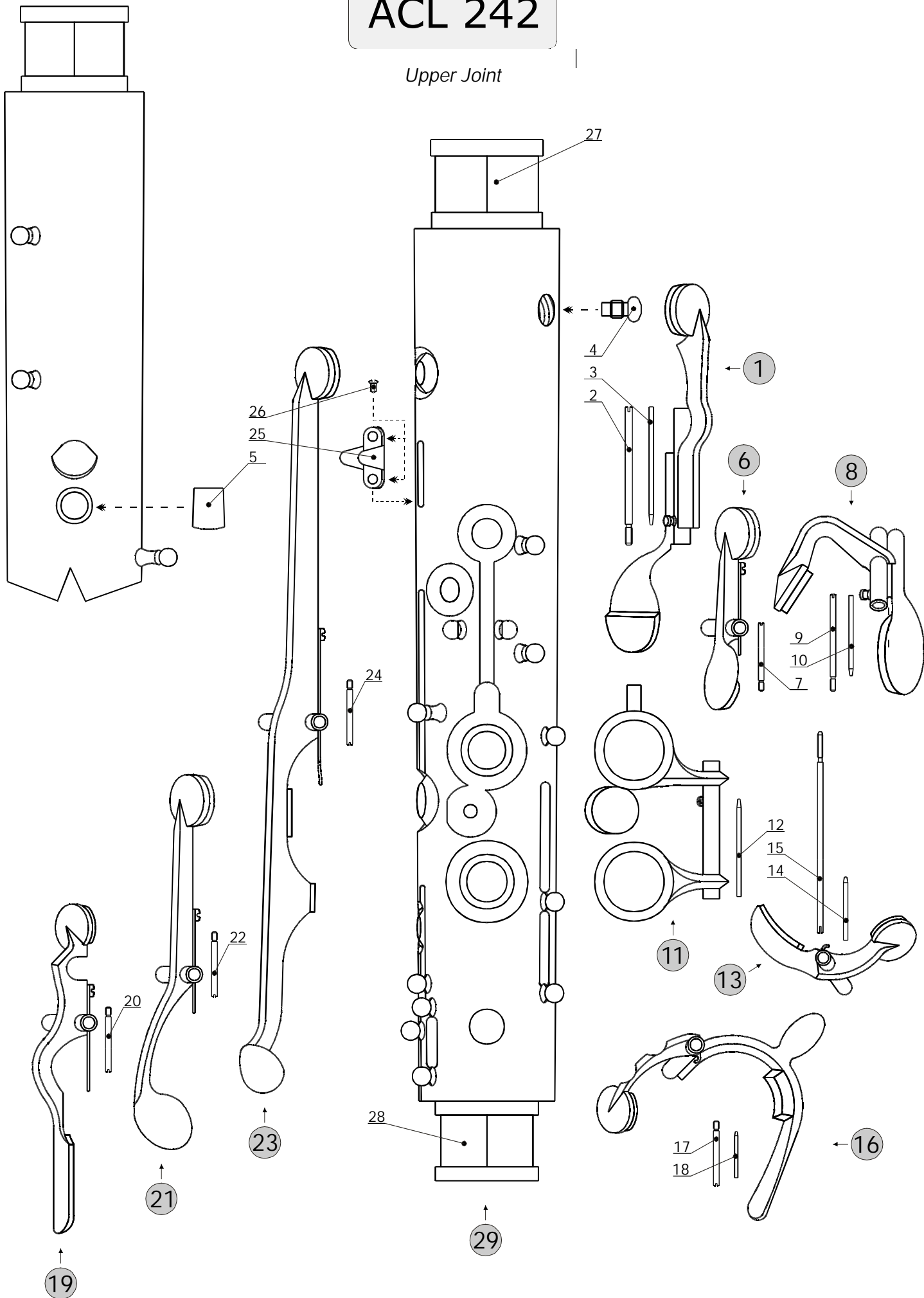
Bottom Joint



Back View

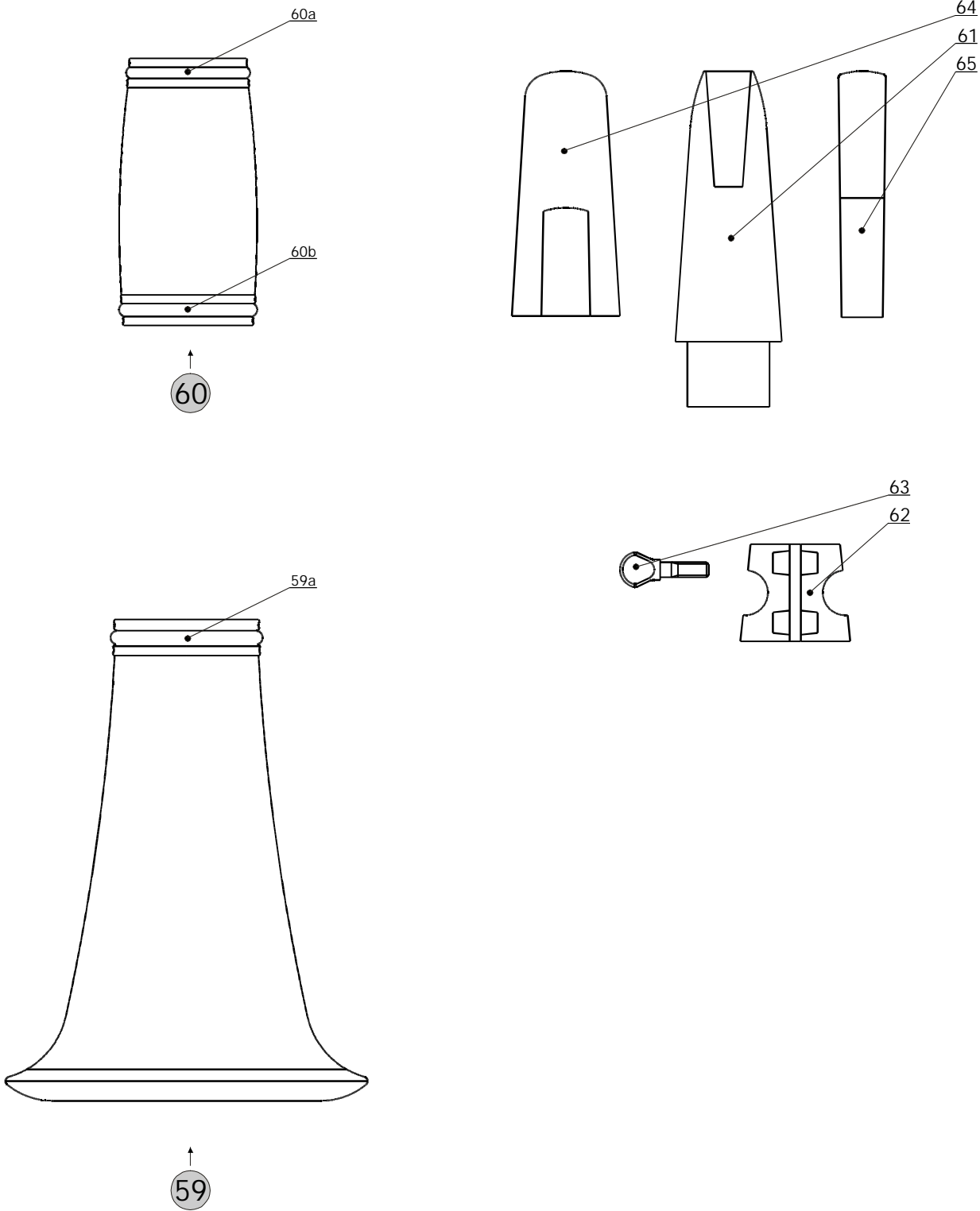
ACL 242

Upper Joint



ACL 242

Bell, Barell, Mouthpiece



Parts For AMATI Bb Clarinet ACL 242/342.

List #	Part #	Description	Note
<i>Upper Joint</i>			
1	KO 200 KN	Register Key complete, nickel-plated.	
**	POL CL 09 KPI	Register Key Pad.	
**	KOREK 1.3*30*40	Register Key Cork.	
2	A3*9	Register Key Rod Screw.	
3	PRUZ CL J 0.88*35	Register Key Needle Spring.	
4	H 12 N	Register Key Hole Tube, nickel-plated.	
5	W 22 L	Thumb Hole Insert, polished.	
6	KO 205L KN	A Key complete, nickel-plated.	
**	POL CL 10 KPI	A Key Pad.	
**	KOREK 1.3*30*40	A Key Cork.	
**	PRUZ CL P 0.20*32	A Key Flat Spring.	
**	SRK 25	A Key Flat Spring Screw.	
7	A3*3	A Key Rod Screw.	
8	KO 206 KN	Ab Key complete, nickel-plated.	
**	POL CL 09 KPI	Ab Key Pad.	
**	KOREK 2.5*11*88	Ab Key Cork (1 of 2pcs).	
9	A3*6	Ab Key Rod Screw.	
10	PRUZ CL J 0.65*52	Ab Key Needle Spring.	
11	KO 24 KN	Upper Ring Key complete, nickel-plated.	
**	POL CL 09 KPI	Upper Ring Key Pad.	
12	PRUZ CL J 0.55*43	Upper Ring Key Needle Spring.	
13	KO 215L KN	Bb Key complete, nickel-plated.	
**	POL CL 10 KPI	Bb Key Pad.	
**	KOREK 1.3*30*40	Bb Key Cork.	
14	PRUZ CL J 0.65*52	Bb Key Needle Spring.	
15	A3*11	Upper Ring Key/Bb Key Rod Screw.	
16	KO 217 KN	G# Key complete, nickel-plated.	
**	POL CL 08 KPI	G# Key Pad.	
**	KOREK 2.5*11*88	G# Key Cork.	
17	A3*5	G# Key Rod Screw.	
18	PRUZ CL J 0.65*52	G# Key Needle Spring.	
19	KO 204L KN	Bb Trill Key complete, nickel-plated.	
**	POL CL 09 KPI	Bb Trill Key Pad.	
**	KOREK 1.3*30*40	Bb Trill Key Cork.	
**	PRUZ CL P 0.30*32	Bb Trill Key Flat Spring.	
**	SRK 25	Bb Trill Key Flat Spring Screw.	
20	A3*3	Bb Trill Key Rod Screw.	
21	KO 203L KN	C Trill Key complete, nickel-plated.	
**	POL CL 10 KPI	C Trill Key Pad.	
**	PRUZ CL P 0.30*32	C Trill Key Flat Spring.	
**	SRK 25	C Trill Key Flat Spring Screw.	
22	A3*5	C Trill Key Rod Screw.	
23	KO 201L KN	A Trill Key complete, nickel-plated.	
**	POL CL 10 KPI	A Trill Key Pad.	
**	KOREK 2.0*30*40	A Trill Key Cork.	
**	PRUZ CL P 350/C1	A Trill Key Flat Spring.	
**	SRK 25	A Trill Key Flat Spring Screw.	
24	A3*5	A Trill Key Rod Screw.	
25	V 21 N	A Trill Key Guide, nickel-plated.	
26	SRK 01	A Trill Key Guide Screw (1 of 2pcs).	
27	KOREK 2.5*12*88	Upper Tenon Cork.	
28	KOREK 2.5*11*88	Lower Tenon Cork.	
29	OSPDH 242CL N	Upper Joint, Posted & Sprung, nickel-plated.	
**	DHM 242CL N	Upper Joint Assy., complete with Keys (List # 1-29), nickel-plated.	
<i>Lower Joint</i>			
30	KO 26L KN	B Lever complete, nickel-plated.	
**	KOREK 1*30*40	B Lever Cork.	
**	VA 26	Key Roller.	
**	A1*21A	Key Roller Rod Screw.	
31	KO 27L KN	C# Key complete, nickel-plated.	
**	POL CL 15 KPI	C# Key Pad.	
**	KOREK 1*30*40	C# Key Cork.	
**	PRUZ CL P 350/F2	C# Key Flat Spring.	
**	SRK 25	C# Key Flat Spring Screw (1 of 2pcs).	
**	VA 26	Key Roller.	

**	A1*21A	Key Roller Rod Screw.
32	A3*6	C# Key/B Lever Rod Screw.
33	V 21 N	C# Key/B Lever Guide (1 of 2pcs), nickel-plated.
34	SRK 01	C# Key/B Lever Guide Screw (1 of 2pcs).
35	KO 230L KN	B Key complete, nickel-plated.
**	POL CL 17 KPI	B Key Pad.
**	KOREK 1*30*40	B Key Cork.
**	PRUZ CL P 0.15*32	B Key Flat Spring.
**	SRK 25	B Key Flat Spring Screw.
**	SRK 12	B Key Adjusting Screw.
36	A3*5	B Key Rod Screw.
37	KO 226L KN	Eb Lever complete, nickel-plated.
**	KOREK 0.75*30*40	Eb Lever Cork (1 of 2pcs).
38	A3*6	Eb Lever Rod Screw.
39	KO 25L KN	Bottom Ring Key complete, nickel-plated.
**	POL CL 10 KPI	Bottom Ring Key Pad.
**	KOREK 1*30*40	Bottom Ring Key Cork.
40	PRUZ CL J 0.65*52	Bottom Ring Key Needle Spring.
41	SRK 32 SAM	Bottom Ring Key Screw, upper.
42	SRK 32	Bottom Ring Key Screw, lower.
43	K 220L KN	F Key complete, nickel-plated.
**	POL CL 12 KPI	F Key Pad.
**	KOREK 1.3*30*40	F Key Cork.
44	PRUZ CL J 0.65*52	F Key Needle Spring.
45	A3*5	F Key Rod Screw.
46	KO 239L KN	C Key complete, nickel-plated.
**	POL CL 17 KPI	C Key Pad.
**	KOREK 1.3*30*40	C Key Cork.
**	SRK 12	C Key Adjusting Screw.
**	KOREK 1*30*40	C Key Adjusting Screw Cork.
**	VA 26	Key Roller.
**	A1*21A	Key Roller Rod Screw.
47	PRUZ CL J 0.65*52	C Key Needle Spring.
48	SRK 32 SAM	C Key Screw (1 of 2pcs).
49	KO 235L KN	Eb Key complete, nickel-plated.
**	POL CL 15 KPI	Eb Key Pad.
**	KOREK 3.5*40*145	Eb Key Cork.
**	VA 26	Key Roller.
**	A1*21A	Key Roller Rod Screw.
50	PRUZ CL J 0.88*35	Eb Key Needle Spring.
51	A3*8	Eb Key Rod Screw.
52	KO 233L KN	C# Trigger complete, nickel-plated.
**	POL CL 17 KPI	C# Trigger Pad.
**	KOREK 1*30*40	C# Trigger Cork.
53	PRUZ CL J 0.55*43	C# Trigger Needle Spring.
54	SRK 32 SAM	C# Trigger Screw.
55	P 46 KN	Thumb Rest Assy., nickel-plated.
55a	P 46 N	Thumb Rest, nickel-plated.
55b	BAREX	Thumb Rest Cushion.
55c	SRK 03	Thumb Rest Saddle Screw (1 of 2pcs).
56	K 10 N	Lower Joint Ring, nickel-plated.
57	KOREK 2.5*13*100	Lower Joint Cork.
58	OSPDD 242CL N	Lower Joint, Posted & Sprung, nickel-plated.
**	DDM 242CL N	Lower Joint Assy., complete with Keys (List # 30-58), nickel-plated.

Bell, Barrel, Mouthpiece

59	OZU 07 N OZD 07 N	Bell complete with Ring, engraved with 'Amati Kraslice' logo.	<i>Plastic, for ACL 242 Models. Wooden, for ACL 342 Models.</i>
59a	K 15N N	Bell Ring, nickel-plated.	
60	SD 62 N	Barell with Rings, nickel-plated, 62mm.	
60a	K 09 N	Barell Ring, nickel-plated (upper).	
60b	K 13 N	Barell Ring, nickel-plated (lower).	
61	HBK 6	Mouthpiece, Facing # 6.	
62	SP 02 N	Ligature, nickel-plated.	
63	SRK 21 N	Ligature Screw, nickel-plated.	
64	KL 02 N	Cap, nickel-plated.	
65	JBK 2	Reed, # 2.	
**	HBKC 6	Mouthpiece complete, nickel-plated (List # 61-65).	
**	SDPOL CL 242KPI	Set of Pads.	

**	SDPRUZ CL 242	Set of Springs.
**	SDSA CL 242	Set of Screws.
**	SDMECH CL 242 N	Set of Keys, nickel-plated.

Important:

- 1/ All Keys nickel-plated. For silver-plated Keys, please add 'S' to the Model Number, instead of 'N'.
- 2/ Please indicate the Instrument's Model Number, when ordering.