

INSTRUMENTS PARTS CATALOGUE

Woodwind Instruments

Clarinets



Bb Clarinet ACL 202



AMATI Bb Clarinet ACL 202

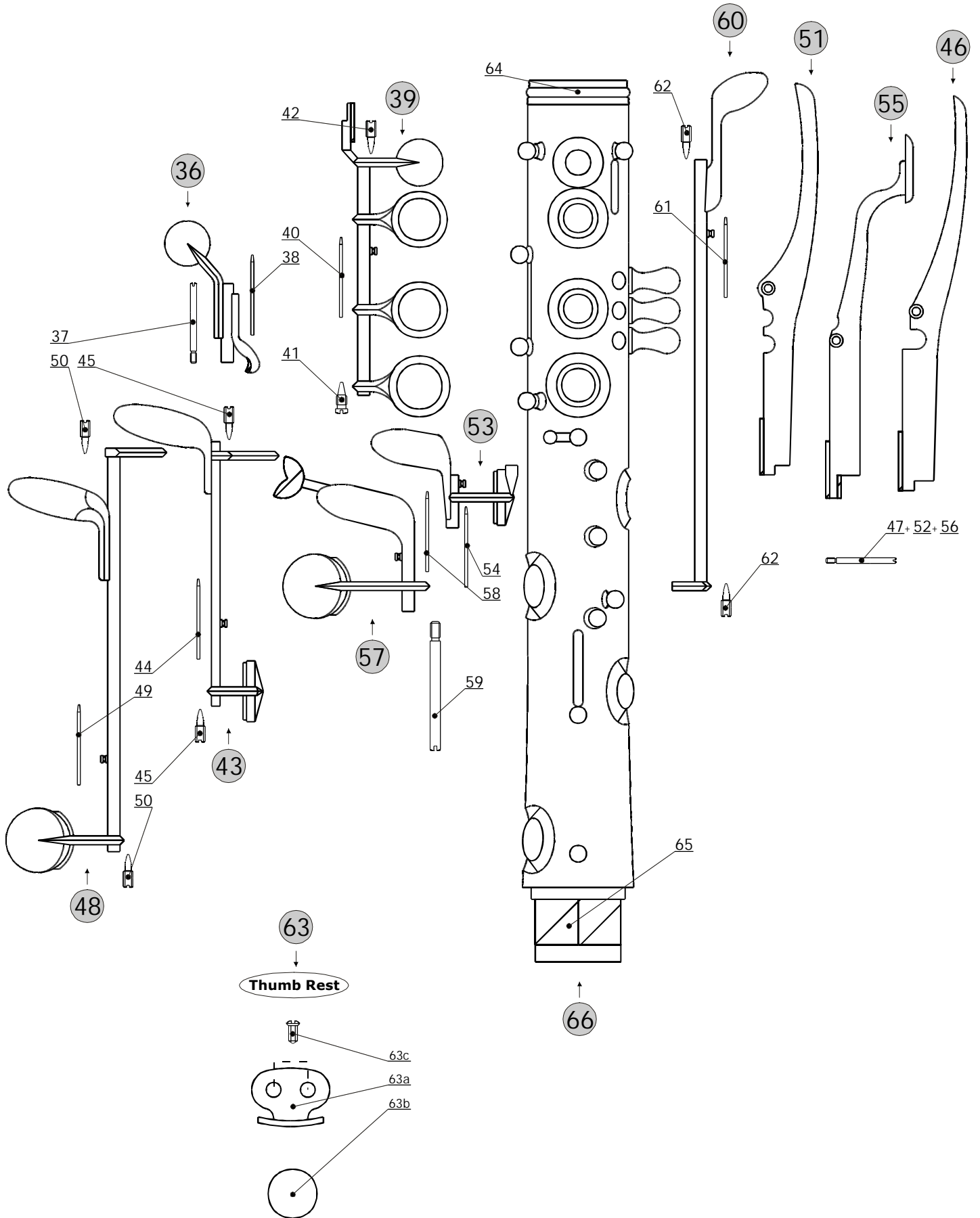
*plastic construction, 18 keys, 6 ring keys,
Eb lever, bore 14.6mm, nickel-plated keys,
plastic case # 6201.*

Last Update September 2004

www.amati-denak.cz

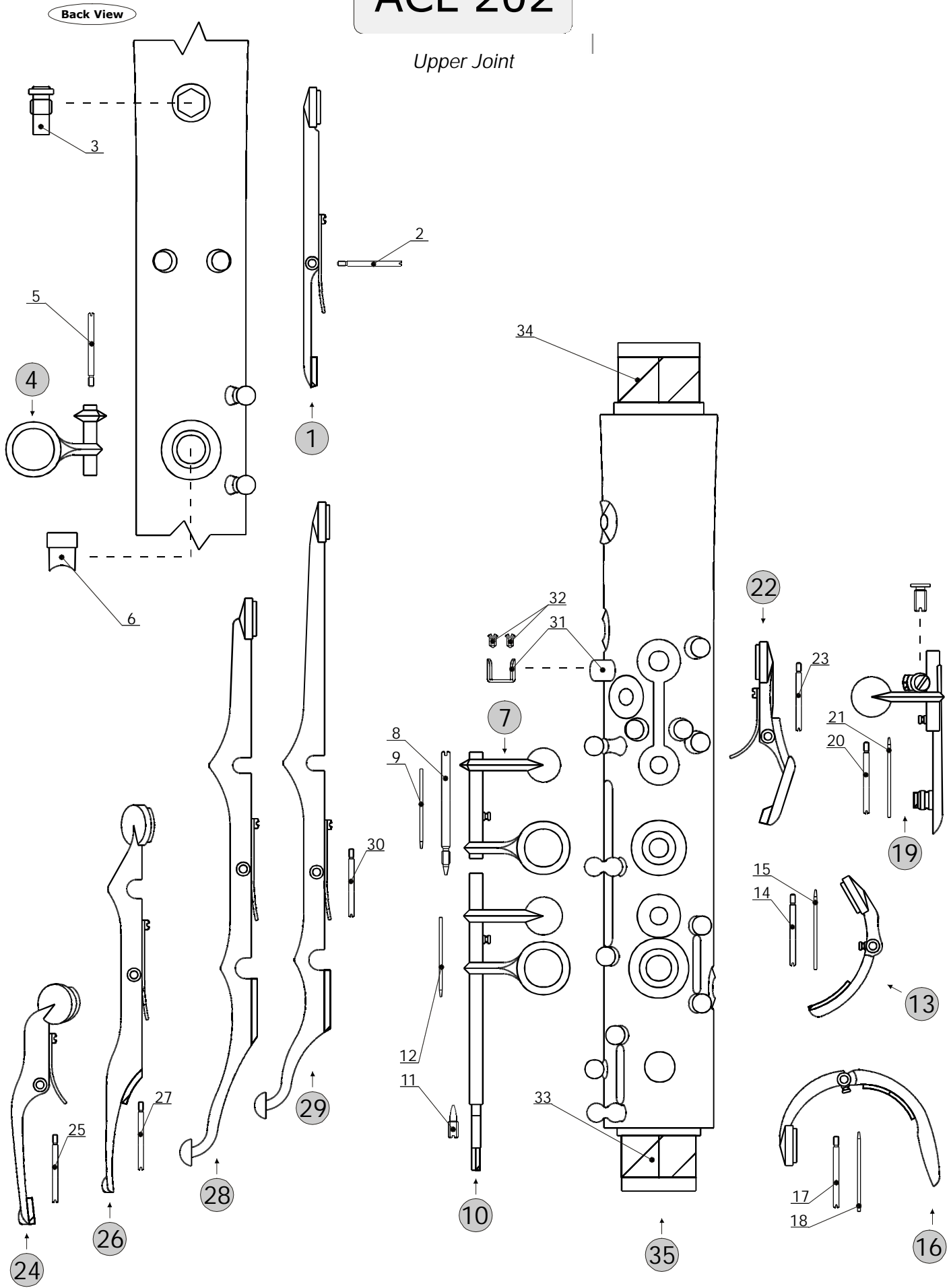
ACL 202

Bottom Joint



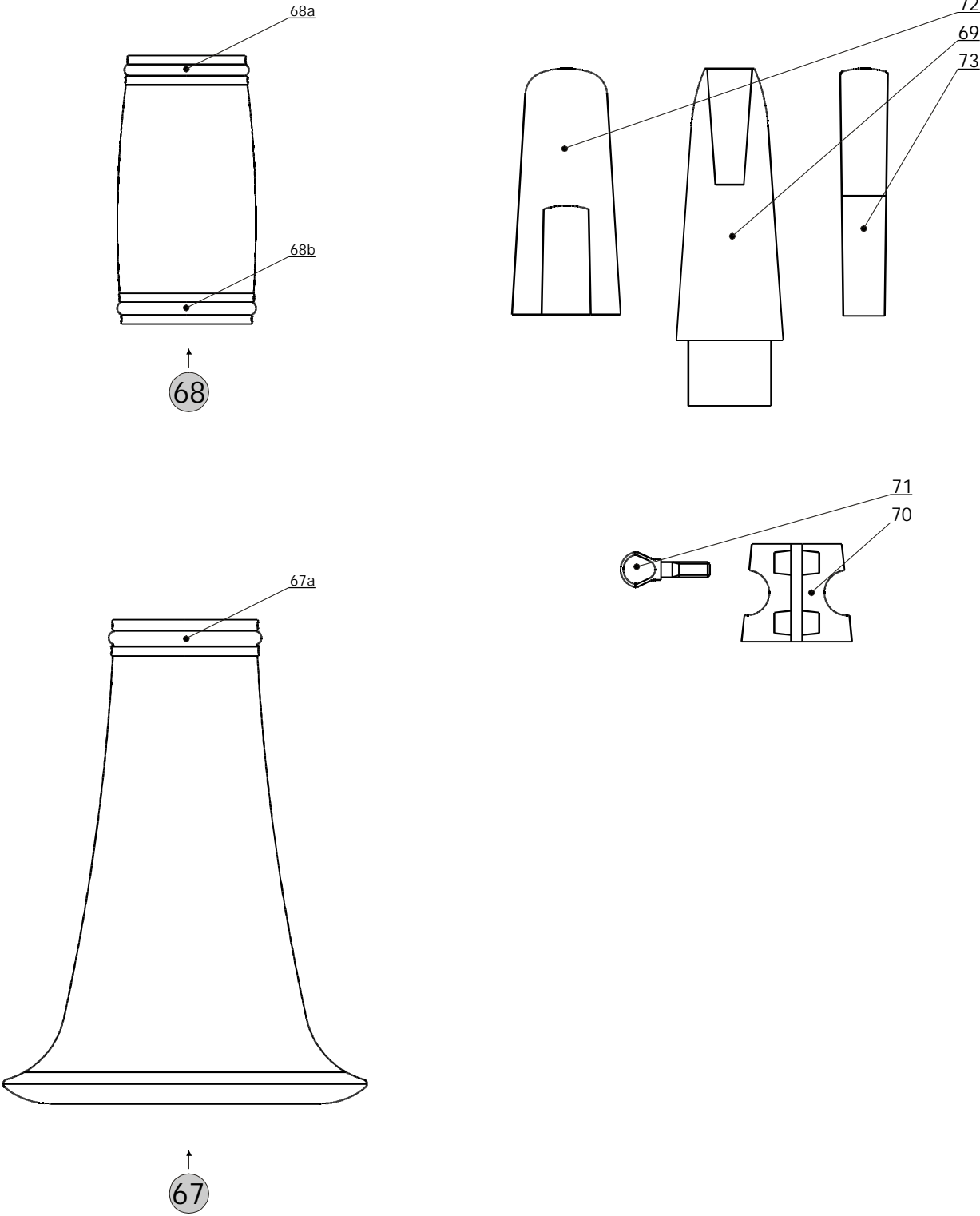
ACL 202

Upper Joint



ACL 202

Bell, Barell, Mouthpiece



Parts For AMATI Bb Clarinet ACL 202.

List #	Part #	Description	Note
<i>Upper Joint</i>			
1	KO 101 KN	Register Key complete, nickel-plated.	
**	POL CL 09 KPI	Register Key Pad.	
**	KOREK 1*30*40	Register Key Cork.	
**	PRUZ CL P 0.30*32	Register Key Flat Spring.	
**	SRK 25	Register Key Flat Spring Screw.	
2	A3*5	Register Key Rod Screw.	
3	H 13 N	Register Key Hole Tube, nickel-plated.	
4	KO 10 KN	G Ring Key complete, nickel-plated.	
**	KOREK 1*30*40	G Ring Key Cork.	
5	A3*13	G Ring Key Rod Screw.	
6	W 11A N	G Ring Key Hole Tube, nickel-plated.	
7	KO 08 KN	F# Ring Key complete, nickel-plated.	
**	POL CL 08 BPR	F# Ring Key Pad.	
**	KOREK 1*30*40	F# Ring Key Cork.	
8	A3*8	F# Ring Key Rod Screw.	
9	PRUZ CL J 0.55*43	F# Ring Key Needle Spring.	
10	KO 09 KN	Bb Ring Key complete, nickel-plated.	
**	POL CL 09 BPR	Bb Ring Key Pad.	
**	KOREK 1*30*40	Bb Ring Key Cork.	
11	SRK 32 SAM	Bb Ring Key Screw.	
12	PRUZ CL J 0.55*43	Bb Ring Key Needle Spring.	
13	KO 111M KN	Bb Key complete, nickel-plated.	
**	POL CL 09 BPR	Bb Key Pad.	
**	KOREK 1.3*30*40	Bb Key Cork.	
14	A3*13	Bb Key Rod Screw.	
15	PRUZ CL J 0.65*52	Bb Key Needle Spring.	
16	KO 112 KN	G# Key complete, nickel-plated.	
**	POL CL 09 BPR	G# Key Pad.	
**	KOREK 1*30*40	G# Key Cork.	
17	A3*13	G# Key Rod Screw.	
18	PRUZ CL J 0.65*52	G# Key Needle Spring.	
19	KO 107M KN	Ab Key complete, nickel-plated.	
**	POL CL 09 BPR	Ab Key Pad.	
**	KOREK 1*30*40	Ab Key Cork (1 of 2pcs).	
**	SRK 12	Ab Key Adjusting Screw.	
20	A3*6	Ab Key Rod Screw.	
21	PRUZ CL J 0.55*43	Ab Key Needle Spring.	
22	KO 106M KN	A Key complete, nickel-plated.	
**	POL CL 09 BPR	A Key Pad.	
**	KOREK 2.5*11*88	A Key Cork.	
**	PRUZ CL P 0.30*32	A Key Flat Spring.	
**	SRS 4A	A Key Flat Spring Screw.	
23	A3*3	A Key Rod Screw.	
24	KO 105M KN	Bb Trill Key complete, nickel-plated.	
**	POL CL 09 BPR	Bb Trill Key Pad.	
**	KOREK 3.5*9*20	Bb Trill Key Cork.	
**	PRUZ CL P 0.30*32	Bb Trill Key Flat Spring.	
**	SRK 25	Bb Trill Key Flat Spring Screw.	
25	A3*3	Bb Trill Key Rod Screw.	
26	KO 104M KN	C Trill Key complete, nickel-plated.	
**	POL CL 09 BPR	C Trill Key Pad.	
**	KOREK 1.3*30*40	C Trill Key Cork.	
**	PRUZ CL P 0.30*32	C Trill Key Flat Spring.	
**	SRK 25	C Trill Key Flat Spring Screw.	
27	A3*3	C Trill Key Rod Screw.	
28	KO 103M KN	A/Bb Trill Key complete, nickel-plated.	
**	POL CL 09 BPR	A/Bb Trill Key Pad.	
**	KOREK 2*30*40	A/Bb Trill Key Cork.	
**	PRUZ CL P 0.35*32	A/Bb Trill Key Flat Spring.	
**	SRK 25	A/Bb Trill Key Flat Spring Screw.	
29	KO 102M KN	A Trill Key complete, nickel-plated.	
**	POL CL 09 BPR	A Trill Key Pad.	
**	KOREK 3.5*40*145	A Trill Key Cork.	
**	PRUZ CL P 0.35*32	A Trill Key Flat Spring.	
**	SRK 25	A Trill Key Flat Spring Screw.	

30	A3*13	A+A/Bb Trill Key Rod Screw.
31	V 22A N	A+A/Bb Trill Key Guide nickel-plated.
32	SRK 01	A+A/Bb Trill Key Guide Screw (1 of 2pcs).
33	KOREK 2.5*11*88	Lower Tenon Cork.
34	KOREK 2.5*12*88	Upper Tenon Cork.
35	OSPDH 201CL N	Upper Joint, Posted & Sprung, nickel-plated.
**	DHM 201CL N	Upper Joint Assy., complete with Keys (List # 1-35), nickel-plated.

Lower Joint

36	KO 114M KN	Bb/F# Key complete, nickel-plated.
**	POL CL 12 BPR	Bb/F# Key Pad.
**	KOREK 1.3*30*40	Bb/F# Key Cork.
37	A3*7	Bb/F# Key Rod Screw.
38	PRUZ CL J 0.75*56	Bb/F# Key Needle Spring.
39	KO 13 KN	Bottom Ring Key complete, nickel-plated.
**	POL CL 12 BPR	Bottom Ring Key Pad.
**	KOREK 1*30*40	Bottom Ring Key Cork.
40	PRUZ CL J 0.65*52	Bottom Ring Key Needle Spring.
41	SRK 32	Bottom Ring Key Screw, lower.
42	SRK 32 SAM	Bottom Ring Key Screw, upper.
43	KO 120A KN	C# Key complete, nickel-plated.
**	POL CL 16 BPR	C# Key Pad.
**	KOREK 1*30*40	C# Key Cork.
44	PRUZ CL J 0.88*35	C# Key Needle Spring.
45	SRK 32 SAM	C# Key Screw (1 of 2pcs).
46	KO 118A KN	C# Lever complete, nickel-plated.
**	KOREK 1.3*30*40	C# Lever Cork.
47	A3*4	C# Lever Rod Screw.
48	KO 121 KN	B Key complete, nickel-plated.
**	POL CL 17 BPR	B Key Pad.
**	KOREK 1*30*40	B Key Cork.
49	PRUZ CL J 0.65*52	B Key Needle Spring.
50	SRK 32 SAM	B Key Screw (1 of 2pcs).
51	KO 117 KN	B Lever complete, nickel-plated.
**	KOREK 1*30*40	B Lever Cork.
52	A3*4	B Lever Rod Screw.
53	KO 119A KN	Eb Key complete, nickel-plated.
**	POL CL 15 BPR	Eb Key Pad.
**	KOREK 1*30*40	Eb Key Cork.
54	PRUZ CL J 0.65*52	Eb Key Needle Spring.
55	KO 119B KN	Eb Lever complete, nickel-plated.
**	KOREK 1.3*30*40	Eb Lever Cork.
56	A3*4	Eb Lever Rod Screw.
57	KO 116 KN	C Key complete, nickel-plated.
**	POL CL 17 BPR	C Key Pad.
**	KOREK 1.3*30*40	C Key Cork, large.
**	KOREK 1*30*40	C Key Cork, small.
58	PRUZ CL J 0.55*43	C Key Needle Spring.
59	A3*10	Eb+C Key Rod Screw.
60	KO 115 KN	C Lever complete, nickel-plated.
**	KOREK 1*30*40	C Lever Cork.
61	PRUZ CL J 0.55*43	C Lever Needle Spring.
62	SRK 32 SAM	C Lever Screw (1 of 2pcs).
63	P 46 KN	Thumb Rest Assy.. nickel-plated.
63a	P 46 N	Thumb Rest, nickel-plated.
63b	BAREX	Thumb Rest Cushion.
63c	SRK 03	Thumb Rest Saddle Screw (1 of 2pcs).
64	K 10 N	Lower Joint Ring, nickel-plated.
65	KOREK 2.5*13*100	Lower Joint Cork.
66	OSPDD 202CL N	Lower Joint, Posted & Sprung, nickel-plated.
**	DDM 202CL N	Lower Joint Assy., complete with Keys (List # 36-66), nickel-plated.

Bell, Barrel, Mouthpiece

67	OZU 07BA N	Bell complete with Ring, engraved with 'Amati Kraslice' logo.
67a	K 15N N	Bell Ring, nickel-plated.
68	SU 62 N	Barell with Rings, nickel-plated, 62mm.
68a	K 09 N	Barell Ring, nickel-plated (upper).
68b	K 13 N	Barell Ring, nickel-plated (lower).
69	HBK 6	Mouthpiece, Facing # 6.

70	SP 02 N	Ligature, nickel-plated.
71	SRK 21 N	Ligature Screw, nickel-plated.
72	KL 02 N	Cap, nickel-plated.
73	JBK 2	Reed, # 2.
**	HBKC 6	Mouthpiece complete, nickel-plated (List # 69-73).
**	SDPOL CL 201PR	Set of Pads.
**	SDPRUZ CL 201	Set of Springs.
**	SDSA CL 202	Set of Screws.
**	SDMECH CL 202 N	Set of Keys, nickel-plated.

Important:

1/ All Keys nickel-plated. For silver-plated Keys, please add 'S' to the Model Number, instead of 'N'.

2/ Please indicate the Instrument's Model Number, when ordering.